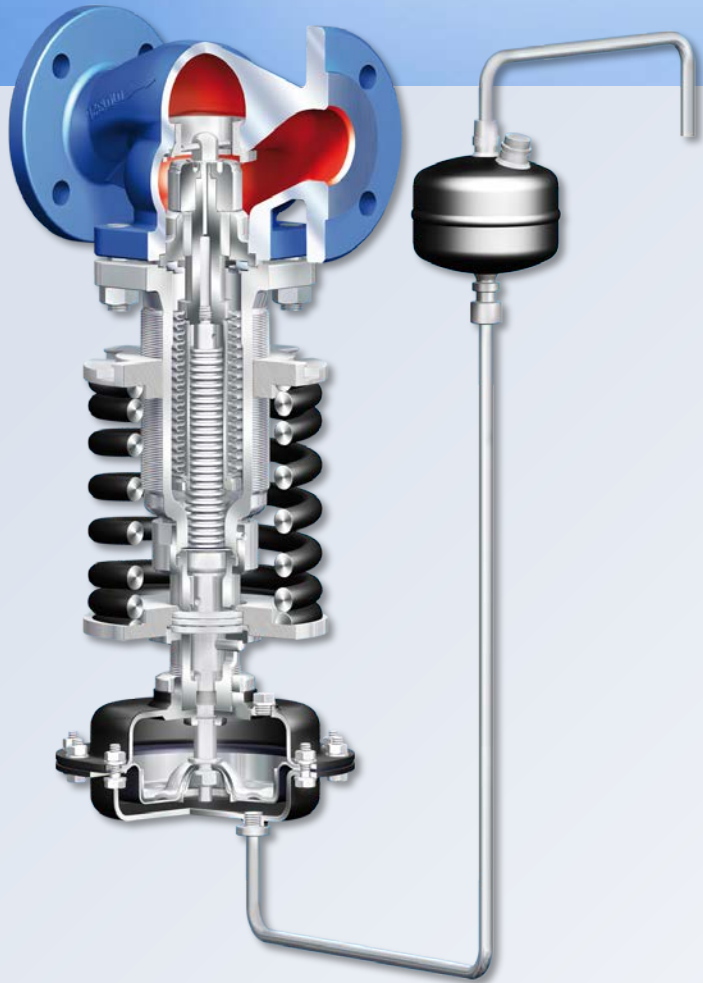


PREDU® 701



Pressure reducing valve

- ▶ DN 15 - 150
- ▶ PN 16 – 40, ANSI150, ANSI300
- ▶ Temperature -60°C up to 350°C
- ▶ Screwed seat ring
- ▶ Body material
 - EN-JL 1040
 - EN-JS 1049
 - 1.0619+N
 - SA216WCB
- ▶ Compact design
- ▶ Construction without pillars
- ▶ Exact and easy adjustment
- ▶ Diameter independent spring ranges
- ▶ Simple change of spring and actuator
- ▶ 5 exchangeable actuator sizes
- ▶ 3 exchangeable spring sizes
- ▶ Pressure balance by stainless steel bellow
- ▶ Spindle sealing via stainless steel bellow

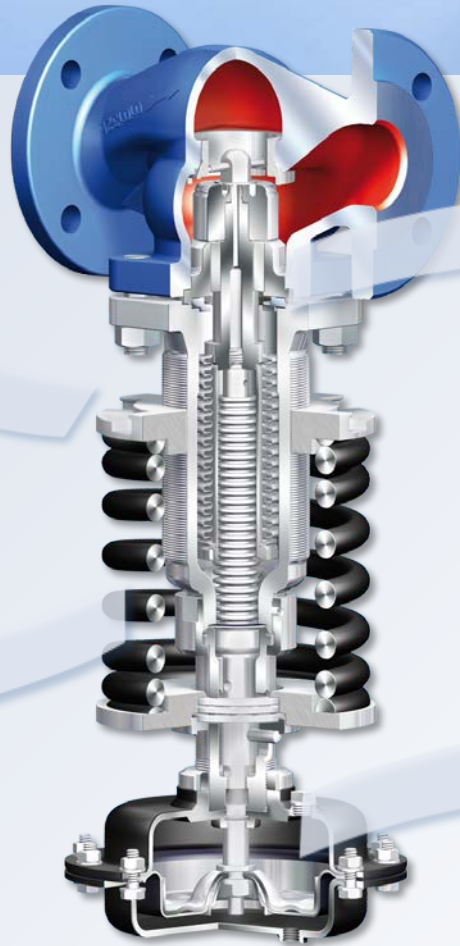
PREDU[®] 701



Exact and easy adjustment, diameter independent spring ranges



Balancing bellow and sealing bellow

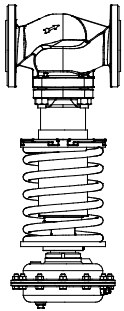


Optional: here flow divider



Easy change of spring and actuator, 5 exchangeable actuator sizes

PREDU[®] 701



▶ 701 Pressure reducing valve
with diaphragm actuator
DMA 40 - DMA 400