

CARBON STEEL SWING CHECK VALVE FLANGED CLASS 300 PN50 TRIM8

Carbon steel swing check valve TRIM8 flanged Class 300 PN50 full bore and partial opening for water distribution, gas oil, steam, petrochemical, petroleum industry and gas.

Bolting bonnet with hoisting eye from DN80 to 400.

Gasket bonnet in stainless steel + graphite.

Vertical or horizontal position

Compatible with explosive atmosphere, ATEX Zone 1&21 and Zone 2&22.



PED 2014/68/UE



Size : DN50 to DN400 (NPS 2" to 16")

Connection : Flanges RF Class 300 PN50

Min Temperature : -29°C

Max Temperature : +425°C

Max Pressure : 50 Bars

Specifications : TRIM8

Bolted bonnet

Full bore and partial opening

Materials : Carbon steel ASTM A216 WCB

CARBON STEEL SWING CHECK VALVE FLANGED CLASS 300 PN50 TRIM8

SPECIFICATIONS :

- Swing check valve
- Full bore and partial opening
- Vertical position with ascendant fluid or horizontal position (respect the flow direction indicated by the arrow)
- Flanges R.F. Class 300 (PN50)
- Carbon steel body
- Bolted bonnet
- Hoisting eye from DN150 to 400 (NPS 6" to 16")
- ½ stellite (Trim 8 , seat with stellite)
- Acrylic grey painting RAL 7001 color, 60 µm thickness

USE :

- Water distribution, gas oil, petrochemical, petroleum industry
- Min and max Temperature Ts : - 29°C to + 425°C
- Max Pressure Ps : 50 bars

FLOW COEFFICIENT Kvs :

DN (mm)	50	80	100	150	200	250	300	350	400
NPS (")	2"	3"	4"	6"	8"	10"	12"	14"	16"
Kvs	40.7	92.9	169.6	381.5	685	1076.8	1556.7	1891	2515

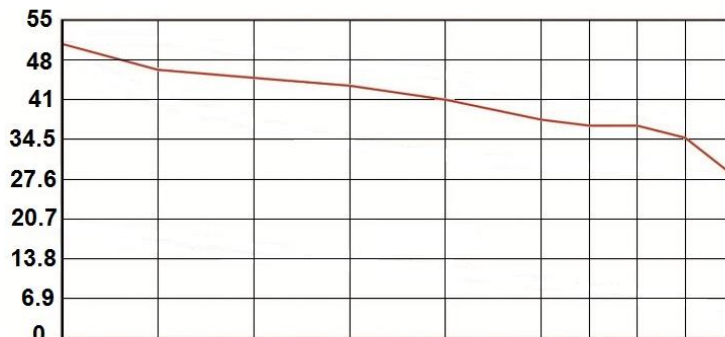
PRESSURE / TEMPERATURE RELATION :

(According to AMSE B16-34 for A216 WCB)

Pressure (Bar)	51.1	51.1	46.2	45.1	43.8	41.3	37.9	36.9	36.9	34.8	28.2
Temperature (°C)	-29	38	93	149	204	260	316	343	371	399	425

PRESSURE / TEMPERATURE GRAPH :

Pressure (Bar)

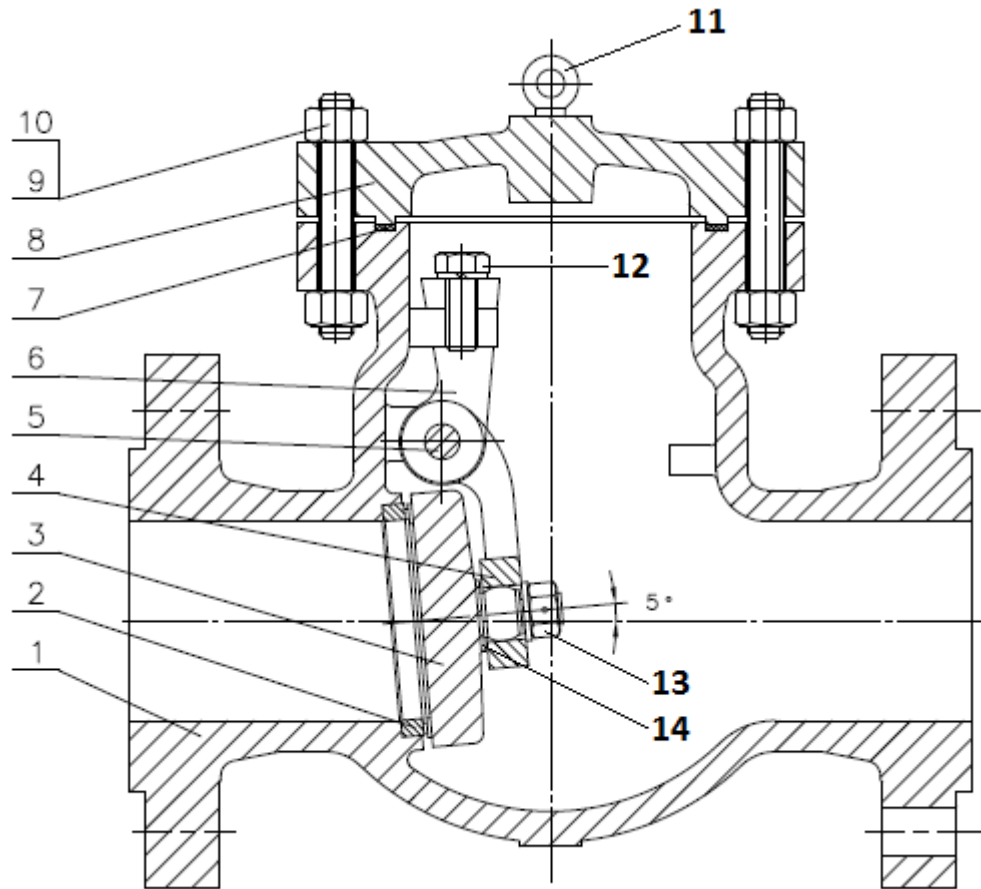


RANGE : -29-0 93 149 204 260 316 343 371 399 425 Temperature (°C)

- Carbon steel swing check valve flanged R.F. Class 300 (PN50) Ref. 374 from DN 50 to DN 400 (NPS 2" to 16")

CARBON STEEL SWING CHECK VALVE FLANGED CLASS 300 PN50 TRIM8

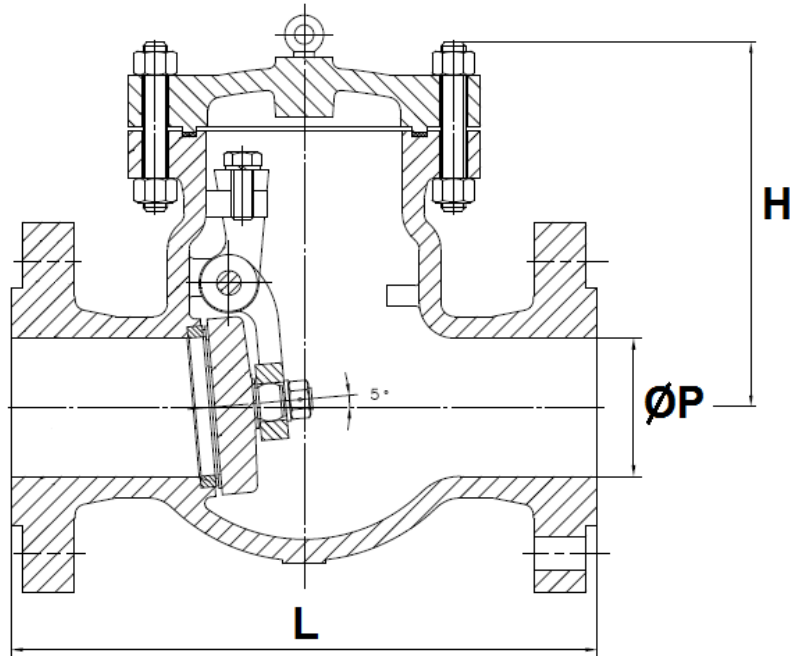
MATERIALS :



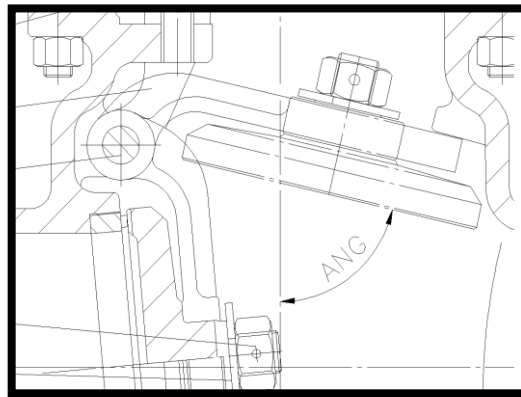
Item	Designation	Materials
1	Body	ASTM A216 WCB
2	Seat	ASTM A105 + stellite Gr.6
3	Disc	ATM A216 WCB + 13Cr
4	Stem	ASTM A216 WCB
5	Pin	ASTM A276-420
6	Support	ASTM A216 WCB
7	Bonnet gasket	Graphite + AISI 304
8	Bonnet	ASTM A216 WCB
9	Stud bolt	ASTM A193 Gr B7
10	Nut	ASTM A194 Gr 2H
11	Hoisting eye	Steel 1025
12	Screw	ASTM A193 Gr B7
13	Nut	ASTM A194 Gr 2H
14	Washer	ASTM A276-420

CARBON STEEL SWING CHECK VALVE FLANGED CLASS 300 PN50 TRIM8

SIZE (in mm) :



OPENING ANGLE :



DN (mm)	50	80	100	150	200	250	300	350	400
NPS (")	2"	3"	4"	6"	8"	10"	12"	14"	16"
Ø P	51	76	102	152	203	254	305	337	388
L	267	318	356	445	533	622	711	838	864
H	152	175	204	293	353	390	432	485	530
Opening angle	55°			60°			63°		65°
Weight (Kg)	22	40	63	106	203	293.5	440	315	503
Ref.	374050	374080	374100	374150	374200	374250	374300	374350	374400

CARBON STEEL SWING CHECK VALVE FLANGED CLASS 300 PN50 TRIM8

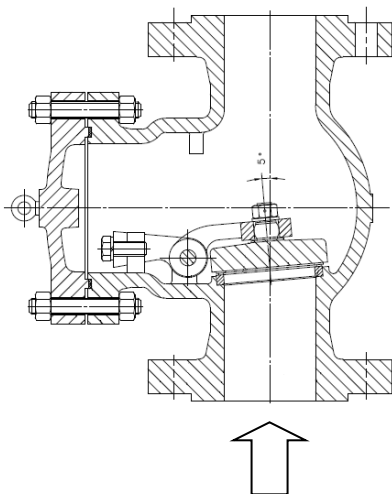
STANDARDS :

- Manufacturer certified ISO 9001 :2015 and ISO 14001 : 2015
- DIRECTIVE 2014/68/UE : CE N° 0036
Risk category III module H
- Certificate 3.1 on request
- Designing according to API 594
- Pressure tests according to API 598, table 6
- Length according to ASME B16.10, table 2 A17 series and EN 558 series 21
- Flanges R.F. according to ASME B16.05 Class 300
- ATEX Group II Category 2 G/2D Zone 1 & 21 Zone 2 & 22 (optional marking) according to directive 2014/34/EU
- Materials according to NACE MR 01-75 **on request**

ADVICE : Our opinion and our advice are not guaranteed and SFERACO shall not be liable for the consequences of damages. The customer must check the right choice of the products with the real service conditions.

INSTALLATION POSITIONS :

Vertical position (ascendant fluid)



Horizontal position

