

## CARBON STEEL GLOBE VALVE FLANGED CLASS 300 PN50 TRIM8

Carbon steel globe valve TRIM8 flanged Class 300 PN50 full bore for water distribution, gas oil, steam, petrochemical, petroleum industry and gas.

Rising and rotating stem with flexible one piece wedge.

Graphite packing for stem and gasket bonnet in stainless steel+graphite.

Compatible with explosive atmosphere, ATEX Zone 1&21 and Zone 2&22.



PED 2014/68/UE



**Size :** DN50 to DN300 (NPS 2" to 12")

**Connection :** Flanges RF Class 300 PN50

**Min Temperature :** -29°C

**Max Temperature :** +425°C

**Max Pressure :** 50 Bars

**Specifications :** Rising rotating stem

Bolted bonnet and packing

Full bore

**Materials :** Carbon steel ASTM A216 WCB

## CARBON STEEL GLOBE VALVE FLANGED CLASS 300 PN50 TRIM8

### SPECIFICATIONS :

- Full bore
- Rising rotating stem
- Rising handwheel
- Respect the flow direction indicated by the arrow
- Flanges R.F. Class 300 (PN50)
- Carbon steel
- Bolted bonnet and gland pack
- ½ stellite ( Trim 8 , seat with stellite )
- Acrylic grey painting RAL 7001 color, 60 µm thickness

### USE :

- Water distribution, gas oil, steam, petrochemical, petroleum industry, gas
- Min and max Temperature Ts : - 29°C to + 425°C
- Max Pressure Ps : 50 bars
- **Tighten the gland packing in service**

### FLOW COEFFICIENT Kvs :

DN (mm)	50	80	100	150	200	250	300
NPS (")	2"	3"	4"	6"	8"	10"	12"
Kvs	60	94	162.8	366.3	651.1	1017.4	1456

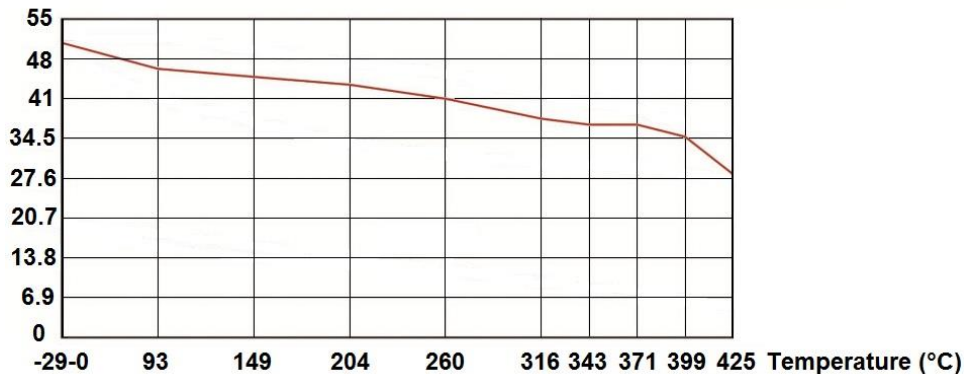
### PRESSURE / TEMPERATURE RELATION :

( According to AMSE B16-34 for A216 WCB )

Pressure ( Bar )	51.1	51.1	46.2	45.1	43.8	41.3	37.9	36.9	36.9	34.8	28.2
Temperature ( °C )	-29	38	93	149	204	260	316	343	371	399	425

### PRESSURE / TEMPERATURE GRAPH :

Pressure (Bar)



## CARBON STEEL GLOBE VALVE FLANGED CLASS 300 PN50 TRIM8

**TORQUE VALUE ( in Nm without safety coefficient ) :**

DN (mm)	50	80	100	150	200	250	300
NPS (")	2"	3"	4"	6"	8"	10"	12"
Torque ( Nm )	30	84	145	319	617	1600	1988

**NUMBER OF CYCLES TO CLOSE OR OPEN THE VALVE :**

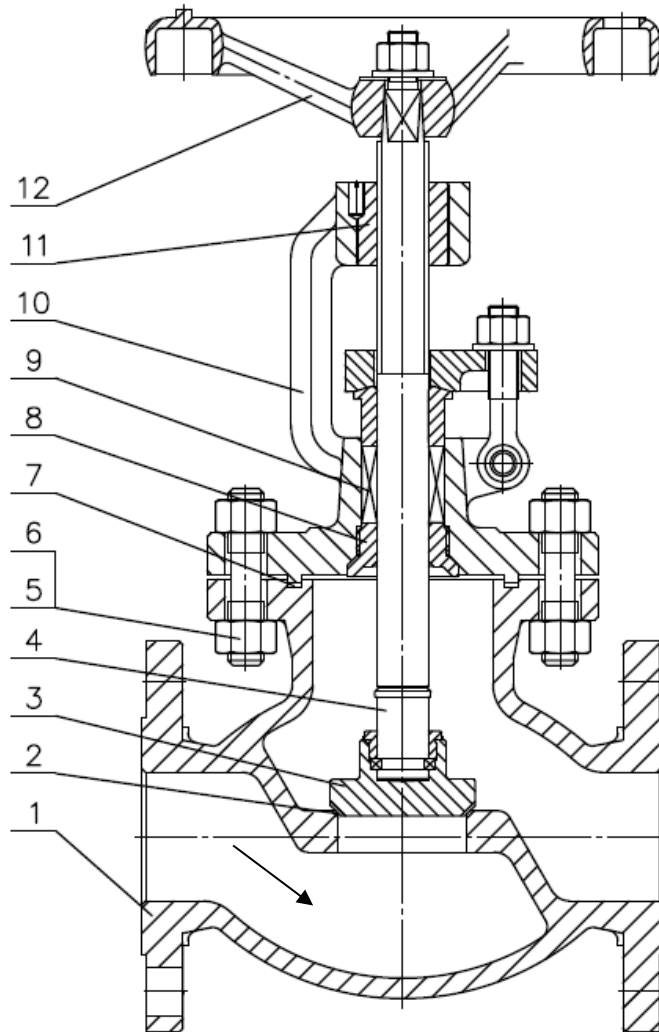
DN (mm)	50	80	100	150	200	250	300
NPS (")	2"	3"	4"	6"	8"	10"	12"
Number of cycles	5	5	7	9	9	11	13

**RANGE :**

- Carbon steel globe valve R.F. flanged Class 300 (PN50) **Ref. 444** From DN 50 to DN 300 ( NPS 2" to 12" )

### CARBON STEEL GLOBE VALVE FLANGED CLASS 300 PN50 TRIM8

MATERIALS DN50-150 ( NPS 2"-6" ):

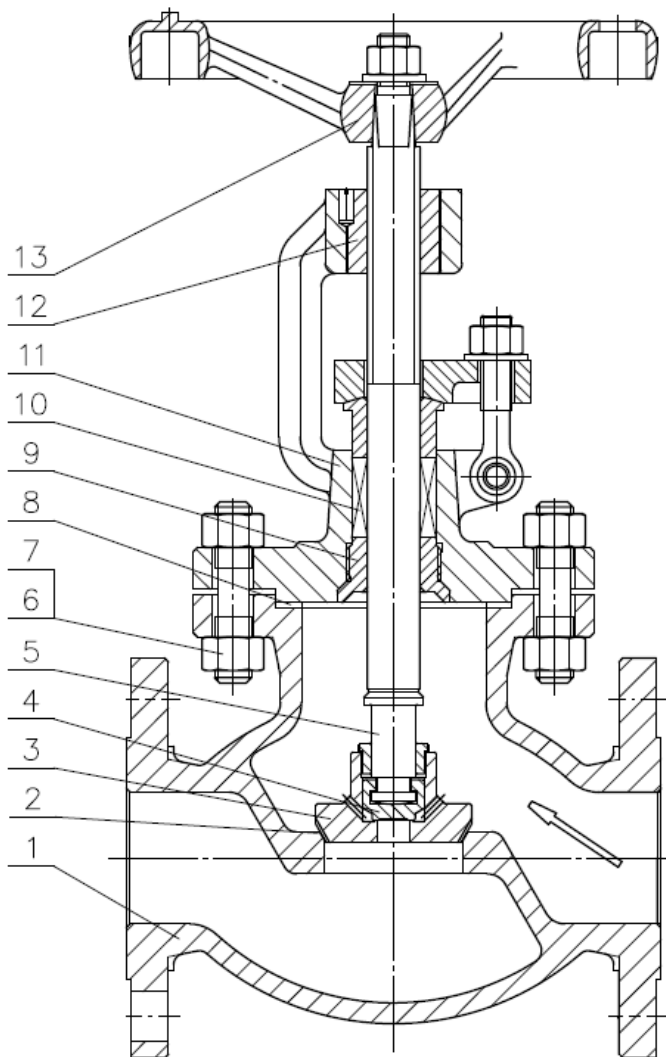


(\* : included in gaskets kit )

Item	Designation	Materials
1	Body	ASTM A216 WCB
2	Seat	Deposited stellite Gr.6
3	Disc	ASTM A105 + 13Cr
4	Stem	ASTM A182 F6a
5	Stem bolt	ASTM A193 Gr B7
6	Nut	ASTM A194 Gr 2H
7*	Bonnet gasket	AISI 304 + graphite
8*	Back seat bushing	ASTM A276-420
9*	Packing	Flexible graphite
10	Bonnet	ASTM A216 WCB
11	Stem nut	Aluminium + Bronze
12	Handwheel	Cast iron

### CARBON STEEL GLOBE VALVE FLANGED CLASS 300 PN50 TRIM8

MATERIALS DN200-300 ( NPS 8"-12" ):

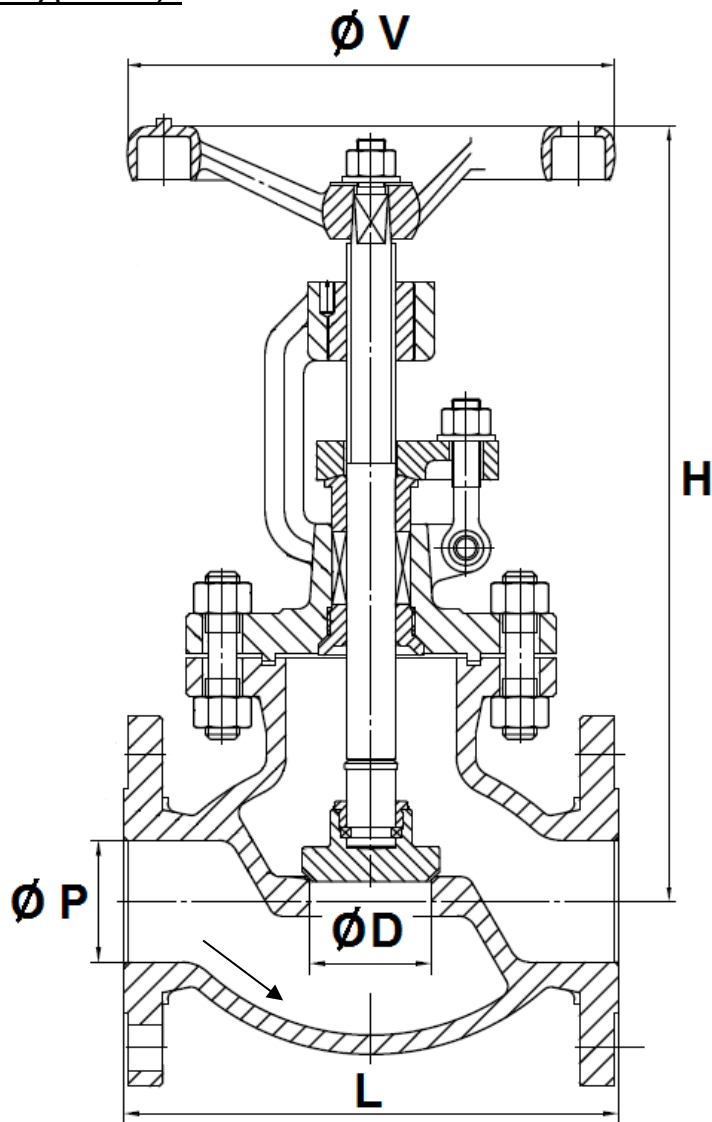


(\* : included in gaskets kit )

Item	Designation	Materials
1	Body	ASTM A216 WCB
2	Seat	Deposited stellite Gr.6
3	Disc	ASTM A105 + 13Cr
4	Secondary disc	ASTM A276-420
5	Stem	ASTM A182 F6a
6	Stud bolt	ASTM A193 Gr B7
7	Nut	ASTM A194 Gr 2H
8*	Bonnet gasket	AISI 304 + graphite
9*	Back seat bushing	ASTM A276-410
10*	Packing	Flexible graphite
11	Bonnet	ASTM A216 WCB
12	Stem nut	Aluminium + Bronze
13	Handwheel	Cast iron

## CARBON STEEL GLOBE VALVE FLANGED CLASS 300 PN50 TRIM8

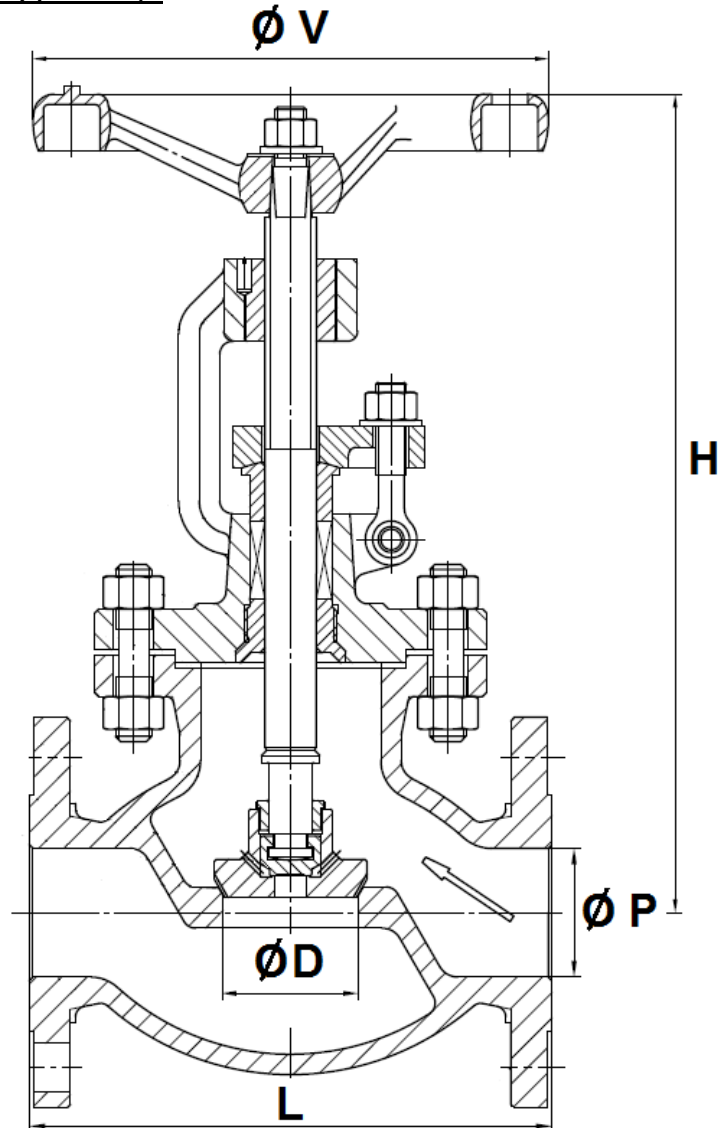
SIZE DN50-150 (NPS 2"-6") ( in mm ) :



DN (mm)	50	80	100	150
NPS (")	2"	3"	4"	6"
Ø P	51	76	102	152
Ø D	51	76	102	152
L	267	318	356	444
H ( opened )	352	435	504	641
H ( closed )	335	410	470	590
Ø V	220	280	350	400
Weight (in Kg)	27	48	76	138
Ref.	444050	444080	444100	444150

### CARBON STEEL GLOBE VALVE FLANGED CLASS 300 PN50 TRIM8

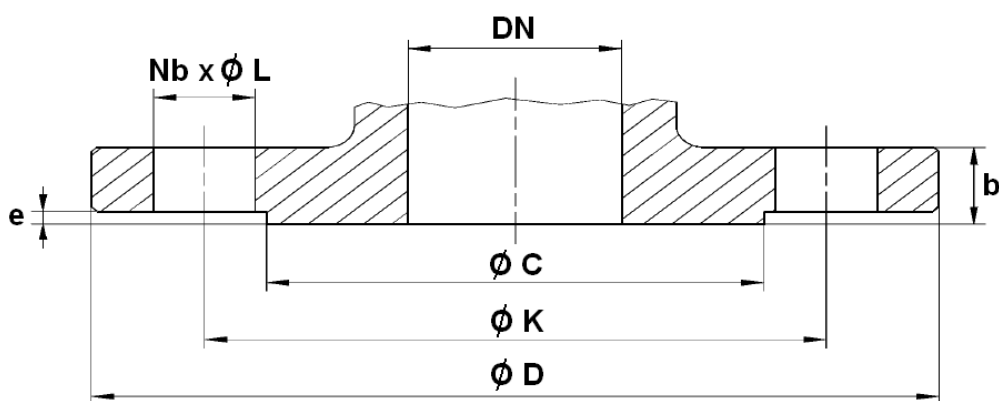
SIZE DN200-300 (NPS 8"-12") ( in mm ) :



DN (mm)	200	250	300
NPS (")	8"	10"	12"
Ø P	203	254	305
Ø D	200	245	290
L	559	622	711
H ( opened )	768	1065	1137
H ( closed )	700	980	1035
Ø V	500	600	600
Weight (in Kg)	240	370	550
Ref.	444200	444250	444300

## CARBON STEEL GLOBE VALVE FLANGED CLASS 300 PN50 TRIM8

**FLANGES SIZE ( in mm ) :**



DN (mm)	50	80	100	150	200	250	300
NPS (")	2"	3"	4"	6"	8"	10"	12"
Ø C	92.1	127	157.2	215.9	269.9	323.8	381
Ø D	165	210	255	320	380	445	520
Ø K	127	168.3	200	269.9	330.2	387.4	450.8
Nb x Ø L	8 x 19	8 x 22	8 x 22	12 x 22	12 x 26	16 x 29	16 x 32
b	22.7	29	32.2	37	41.7	48.1	51.3
e	2	2	2	2	2	2	2



**CARBON STEEL GLOBE VALVE FLANGED CLASS 300 PN50 TRIM8****STANDARDS :**

- Manufacturer certified ISO 9001 : 2015 and ISO 14001 : 2015
- DIRECTIVE 2014/68/EU : CE N° 0036  
Risk category III Module H
- Certificate 3.1 on request
- Designing according to BS 1873
- Pressure Tests according to API 598, table 6
- Length according to ASME B16.10, table 2 A15 series and EN 558 series 21 (excepted DN200 8")
- Flanges R.F. according to ASME B16.05 Class 300
- ATEX Group II Category 2 G/2D Zone 1 & 21 Zone 2 & 22 ( optional marking ) according to directive 2014/34/EU
- Materials according to NACE MR 01-75 **on request**