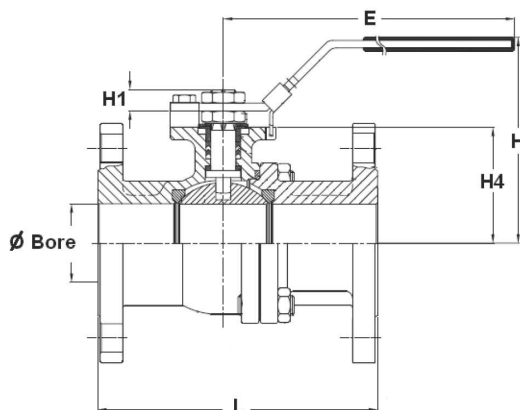


## K85 111 516.762 – KOHOUT KULOVÝ UZAVÍRACÍ PŘÍRUBOVÝ



	DN	15	20	25	32	40	50
Ref.  762 / 763  DN 15 - 50	Ø Bore	15	20	25	32	38	50
	L	115	120	125	130	140	150
	E	132	132	166	166	198	198
	H	80	84.5	102	105	125	132
	H1	8.5	8.5	12	12	12	12
	H4	38.5	42.5	52	56	65.3	73.8
	Weight ( Kg )	2.2	2.85	3.85	5.28	7	9.3

	DN	65	80	100	125	150
Ref.  762 / 763  DN 65 - 150	Ø Bore	64	76	100	125	150
	L	170	180	190	325	350
	E	300	300	450	600	800
	H	178	188	202	233	259
	H1	23	23	23	45	45
	H4	92.5	101.7	119	163	182.5
	Weight ( Kg )	13.8	17.36	23.52	47	65.4

Ref.	DN	200
762 / 763	Ø Bore	200
	L	400
	E	839.3
	H	363
	H1	43.5
	H4	251.5
	Weight ( in Kg )	136

Item	Designation	Materials 762	Materials 763
1	Body	ASTM A216 WCB	ASTM A351 CF8M
4	Ball	ASTM A351 CF8	ASTM A351 CF8M
5	Stem	SS 304	SS 316
9	Ends	ASTM A216 WCB	ASTM A351 CF8M
11*	Body seal	PTFE	
12*	Seat	PTFE filled with 15% glass	
13*	Thrust washer	PTFE	
14*	Stem packing	PTFE	
15	Gland bush	SS 304	
19	Handle	SS 304	
21	Handle cover	Plastic	
22	Stem nut	SS 304	
24	Handle nut	SS 304	
28	Locking pad	SS 304	
29	Elastic washer	SS 301	
30	Tab washer	SS 304	
33	Stop pin	SS 304	
35	Body bolt	ASTM A193 Gr.B7H	ASTM A193 Gr.B8
37	Bolt nut	ASTM A194 Gr.2HM	ASTM A194 Gr.8

