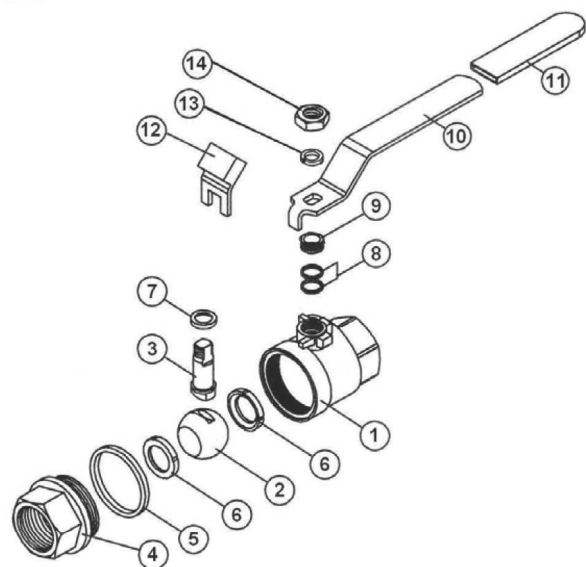


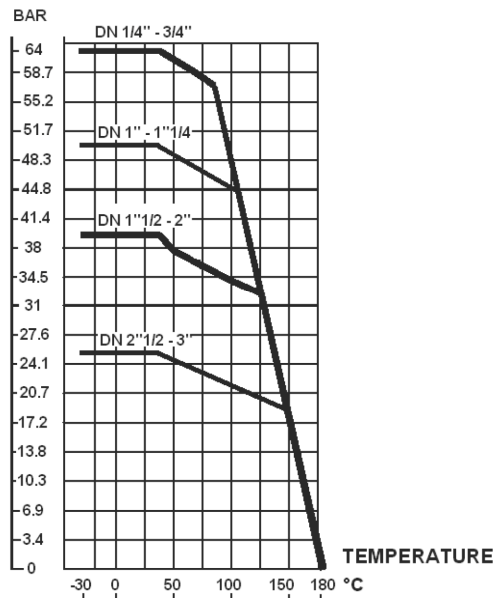
K85 131 063.715 – KOHOUT KULOVÝ UZAVÍRACÍ ZÁVITOVÝ



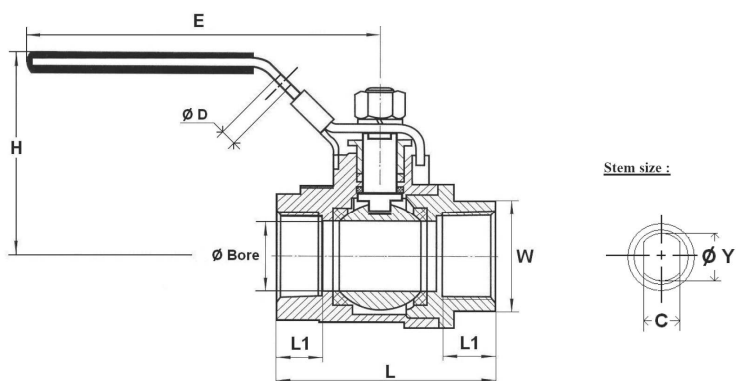
- Female / female threaded BSP Stainless steel blue handle Ref. 715 from DN 1/4" to DN 3"



PRESSURE



Item	Designation	Materials
1	Body	ASTM A351 CF8M
2	Ball	ASTM A351 CF8M
3	Stem	SS 316
4	Ends	ASTM A351 CF8M
5	Body seal	PTFE
6	Seat	PTFE filled with 15% glass
7	Stem gasket	PTFE
8	Packing	PTFE
9	Packing nut	SS 304
10	Handle	SS 304
11	Handle cover	Plastic
12	Locking device	SS 304
13	Handle washer	SS 304
14	Handle nut	SS 304



DN	1/4"	3/8"	1/2"	3/4"	1"	1 1/4"	1 1/2"	2"	2 1/2"	3"
Ø Bore	11.6	11.6	15	20	25	32	38	50	65	80
L	46.8	48.5	58	65.7	77	90	98	121	145	166
Ø D	7.6	7.6	7.6	7.6	7.6	7.6	7.6	7.6	7.6	7.6
E	100	100	100	127	127	154	154	192	244	244
H	53	53	57	66	70	85	89	103	142	151
L1	10.5	10.5	13	13.2	15.2	18	18.3	22.5	25.5	28.4
W (on flat)	17	20.8	25.5	31	38.5	48	54	67	83.5	98
C	5	5	5	5.8	5.8	7	7	8	12	12
Ø Y	8	8	8	9.2	9.2	11	11	12.4	20	20
Weight (Kg)	0.18	0.19	0.26	0.40	0.59	1	1.32	2.46	4.83	7.45