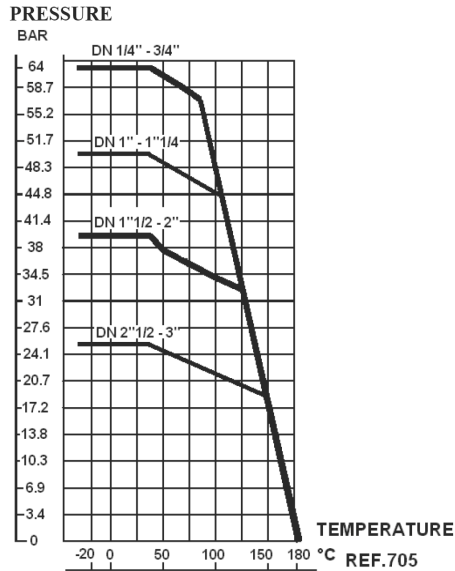
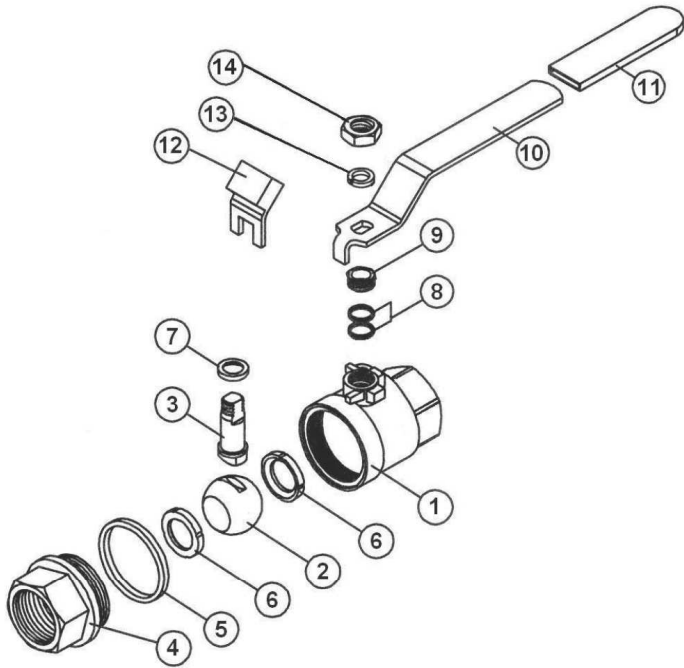


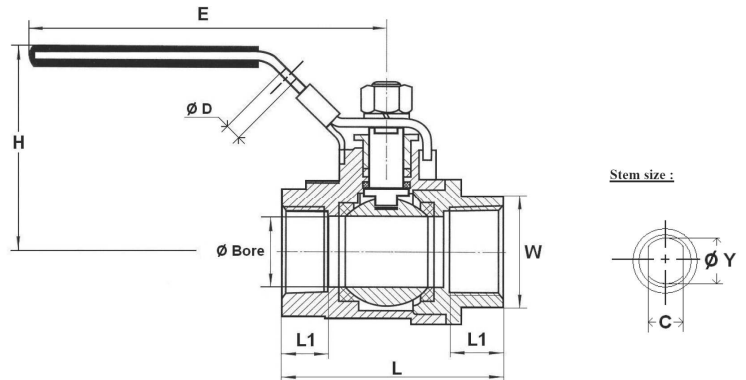
K85 131 563.705 – KOHOUT KULOVÝ UZAVÍRACÍ ZÁVITOVÝ



- Carbon steel body BSP threaded with red handle Ref. 705 DN 1/4" to DN 3"



Item	Designation	Materials 704/706	Materials 705
1	Body	ASTM A351 CF8M	ASTM A216 WCB
2	Ball	ASTM A351 CF8M	
3	Stem	SS 316	SS 304
4	Bonnet	ASTM A351 CF8M	ASTM A216 WCB
5	Body seal	PTFE	
6	Seat	PTFE filled with 15% glass	
7	Stem gasket	PTFE	
8	Packing	PTFE	
9	Packing nut	SS 304	
10	Handle	SS 304	
11	Handle cover	Plastic	
12	Locking device	SS 304	
13	Washer	SS 304	
14	Handle nut	SS 304	



Ref.	DN	1/4"	3/8"	1/2"	3/4"	1"	1 1/4"	1 1/2"	2"	2 1/2"	3"
704/705	Ø Bore	9.2	12.5	15	20	25	32	38	50	65	80
	L	48.6	52.5	59	65	76	90	102	122	157	176
	Ø D	8	8	8	8	8	8	8	8	8	8
	E	81	87	100	100	148	148	190	190	280	280
706	H	47.5	52	56.5	58.5	74	78	92	103	118	127
	L1	10	12	14.5	16	18	19	20	22	28	32
	W on flat	19	22	26	32	38	50	54	68	85	98
	C	4	5	6.5	6.5	8	8	8.5	8.5	12	12
	Ø Y	6	7	7.5	7.5	9	9	11	11	15.5	15.5
704 / 706	Weight (Kg)	0.195	0.228	0.284	0.370	0.610	0.996	1.590	2.562	5.33	7.737
705	Weight (Kg)	0.196	0.255	0.290	0.372	0.636	0.960	1.588	2.580	5.316	7.930