

SK 70 – ODVADĚČ KONDENZÁTU PLOVÁKOVÝ PŘÍRUBOVÝ

MAIN CHARACTERISTICS

The SK70 is a float trap dedicated to the draining of condensate in the steam lines. The SK70 has a ductile carbon steel body with threaded or flanged connections with standardized face to face dimension. This steam trap is able to drain large capacities of condensate and is well adapted to the changes of flowrates. For this reason it is recommended for the draining of process like heat exchangers, autoclaves, condensers in the field of chemical processing, food and drugs industries. As a standard the SK70 is fitted with an thermostatic capsule for air elimination in starting phase. It must be installed horizontally and several mechanisms are available depending on the differential pressure.

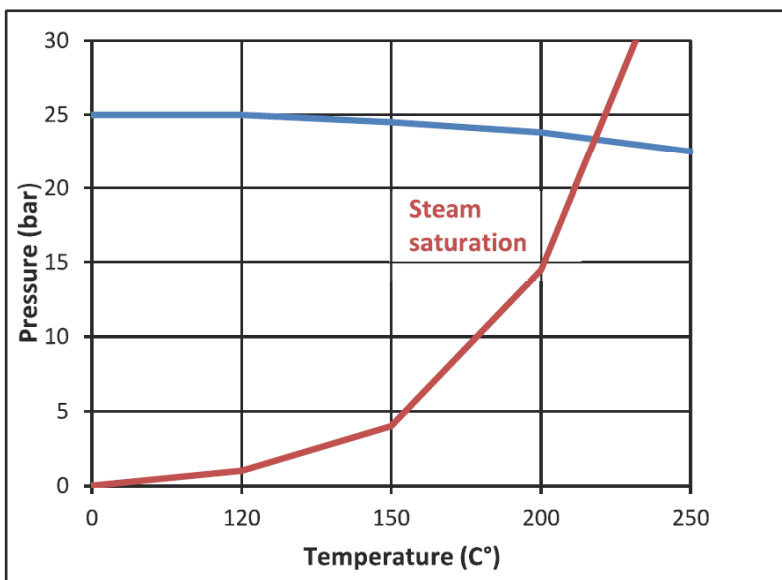


AVAILABLE MODELS

BSP screwed end connections : G 1/2" - G 3/4" - G 1"
 DN15, DN20 to DN25
 Connecting with flanges PN25
 ΔP 4,5 / 10 / 14 bar

LIMITS OF USE

Max allowed fluid pressure : PS	25 Bar
Max allowed fluid temperature TS :	+0 °C / +250 °C
Use on saturated steam	20 bar / +215 °C

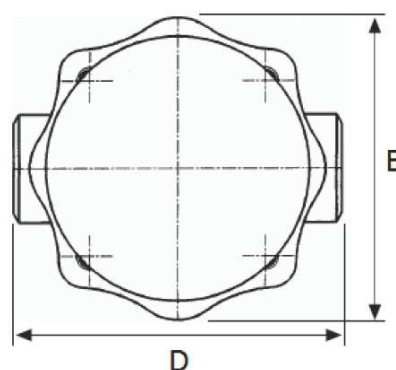
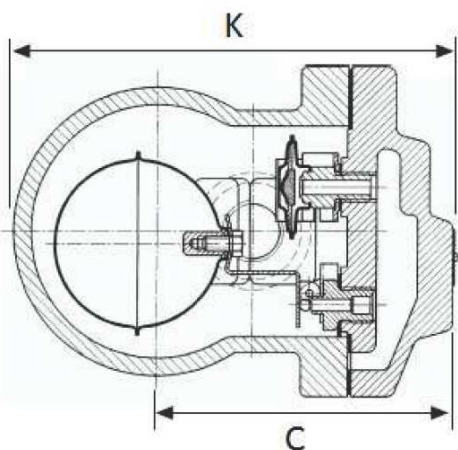
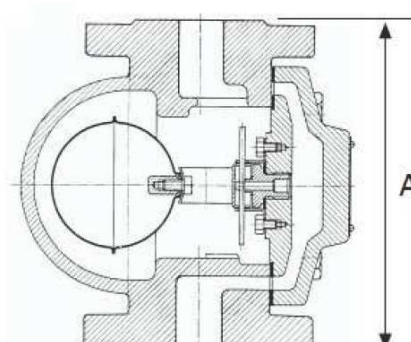
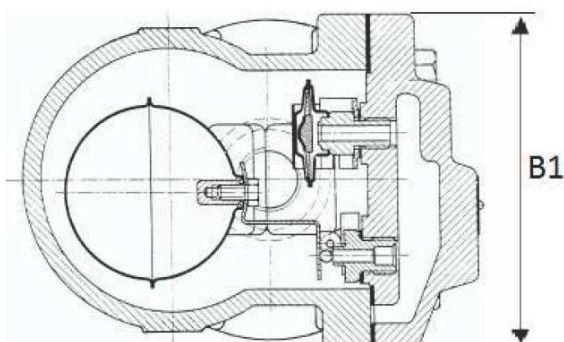


REGULATIONS AND STANDARD OF CONSTRUCTION

Item	Standard
Pressure equipment directive 97/23	G 1/2" to G 1" : A3 § 3 excluded
	DN 15 to 25 : A3 § 3 excluded
Materials of carbon steel	EN 1503-1
BSP theard	ISO 228
Flanges	EN 1092-1
Face to Face dimensions	EN 26554

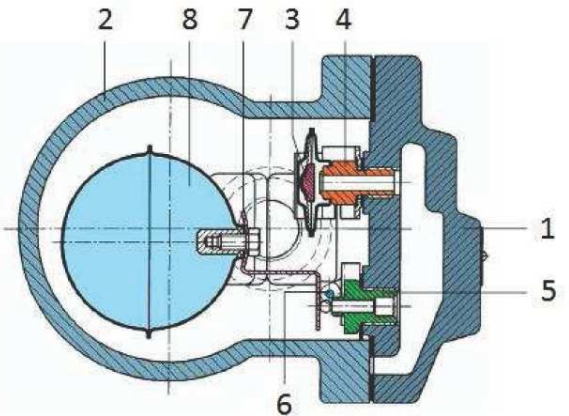
DIMENSIONS (mm) AND WEIGHT (kg)

DN	A (Flanges)	K	B	B1	C	D (thread)	Drillings Nbr.	Weight (Kg) (flanges)	Weight (Kg) (thead)
15	150	150	108	105	68	122	4	4,5	3,3
20	150	150	108	105	68	122	4	5,2	3,3
25	160	167	108	110	107	145	4	6,4	4,3

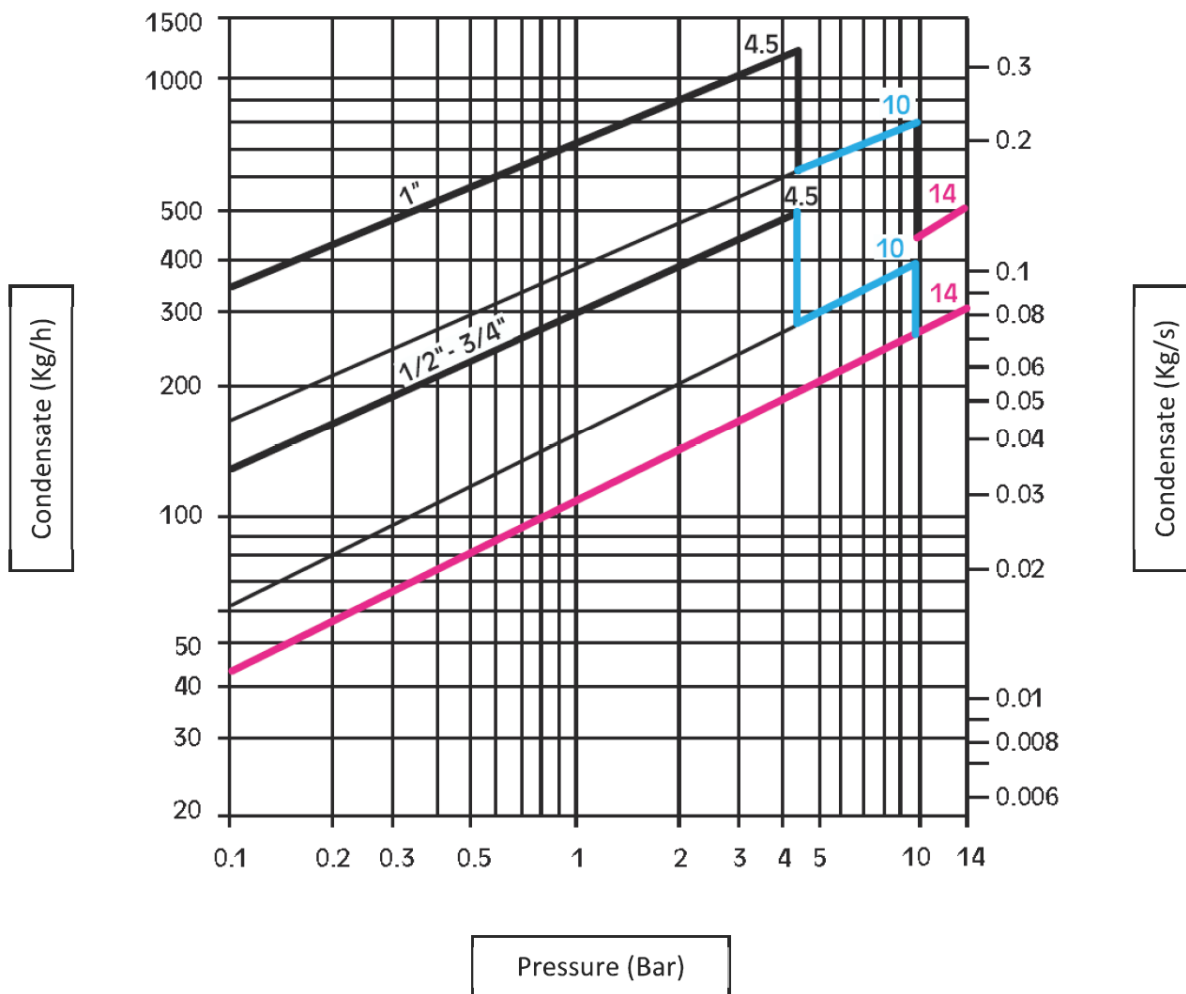


CONSTRUCTION

N°	Item	Material
1	Cover	Carbon steel 1.0619
2	Body	Carbon steel 1.0619
3	Thermostatic capsule	Stainless steel 304
4	Seat (air)	Stainless steel 304
5	Seat (condensate)	Stainless steel 304
6	Gasket	Stainless steel 304
7	Level	Stainless steel 304
8	Float	Stainless steel 316



FLOWRATE OF CONDENSATE (Kg/h)



INSTALLATION

The SK70 steam trap must be installed at the lowest point of the piping to drain. As a standard, it is delivered for horizontal installation. Upstream the trap it is recommended to install a shut-off valve and a Y strainer to avoid any damage on the seat due to the passing of impurities. Downstream the trap must be connected to the condensate loop or to the sewage.

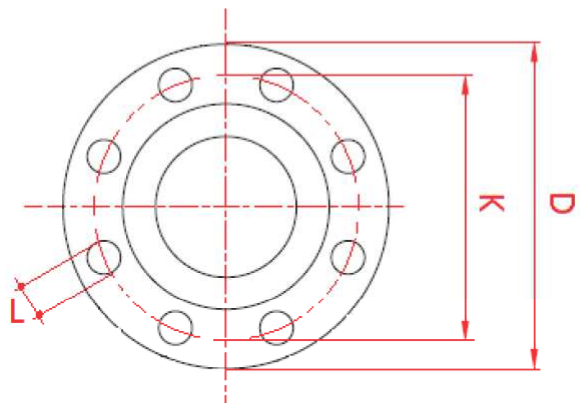
MOUNTING

While installing the SK70, the right position has to be respected to allow the operation of the trap. Please respect the following two directions.

- 1 – SK70 has to be installed horizontally taking care of the direction of the arrow stamped on the body : from steam pipe (upstream) to condensate pie (downstream).
- 2 - Moreover the arrow written on the nameplate must be pointed to the ground.
- 3 - Before installing the trap, shut of the line and remove the pressure. Wait for complete cooling of the line before any operating.
- 4 - Clean carefully the upstream line.
- 5 - Screw the trap on the line after having verified the direction of the two arrows.
- 6 - For the flanged type, use flange's gaskets adapted to steam service.

For the bolding of flanges, use following dimensions :

Flanges PN16 Dimensions					
DN	D	K	L	Qty	∅
15	95	65	14	4	M12
20	105	75	14	4	M12
25	115	85	14	4	M12



MAINTENANCE

It is not necessary to disassemble the trap from the pipe to proceed to his maintaining.

- 1 - Shutt-off the upstream valve.
- 2 - Drain the downstream line.
- 3 - Verify that there is no pressure and temperature inside the line.
- 4 - Unscrew the 4 bolts of the cover (item 2).
- 5 - Verify the state of the float (item 8). Also verify the state of the lever and the seat (item 6). Clean and/or replace the damaged parts if necessary.
- 6 - Verify the state of the capsule (item 4). Replace it if necessary and clean the seat.
- 7 - Replace the body gasket (item 3) and re-assemble the cover (item 2).