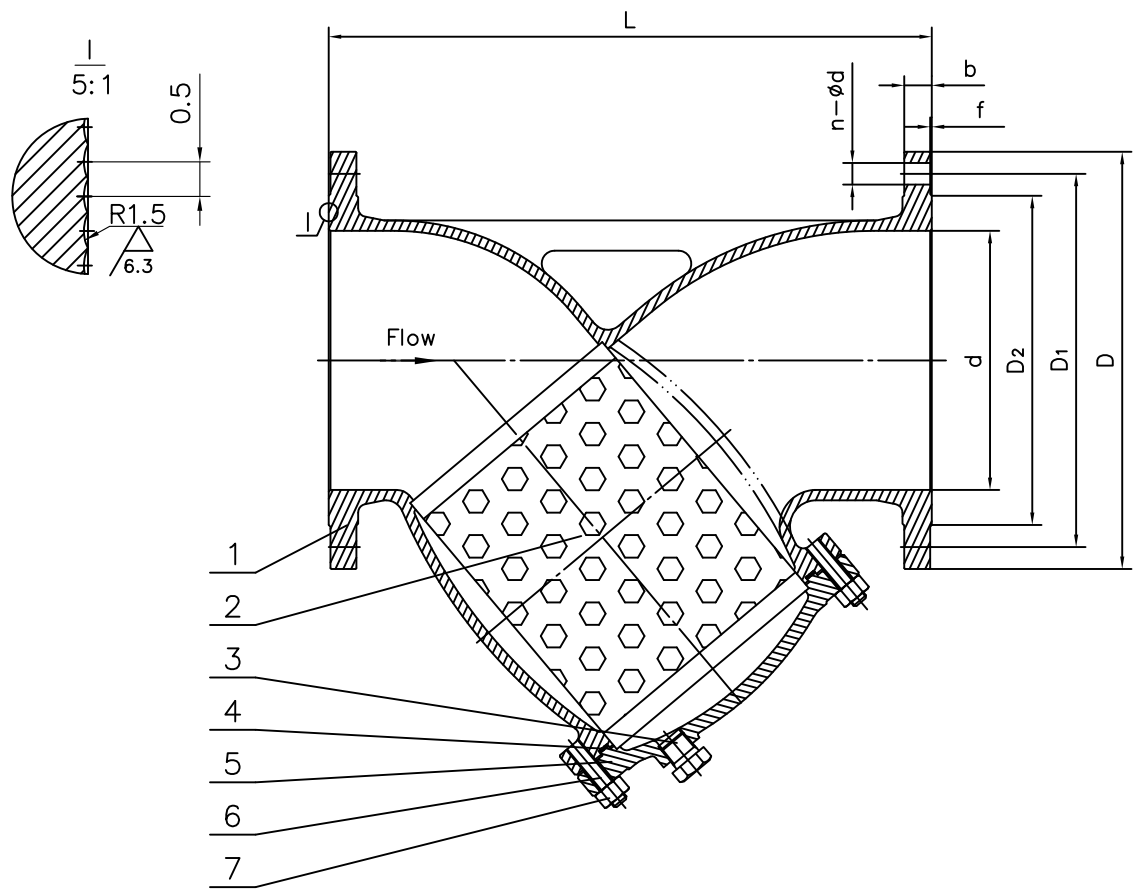


Specification Standard Sheet		
Shell Test Pressure	2.4	MPa
Applicable Medium	Water, Steam, Oil etc	

Size	Main Dimension [mm]							
DN	d	D	D1	D2	b	f	n- $\phi$ d	L
500	495	715	650	610	34	4	20- $\phi$ 33	1250



7	Bonnet Nut	ASTM A194 2H	
6	Bonnet Bolt	ASTM A193 B7	
5	Bonnet	EN 10213 1.0619	
4	Winded Gasket	Graphite+SS	
3	Drain Plug	SS	
2	Screen	SS304	
1	Body	EN 10213 1.0619	
No	Parts Name	Parts Material	Remarks

Y-Type Strainer PN16 RF	
Temperature and Pressure	BS EN 12516-1
Design and Manufacture	BS EN 12516-1
Face to Face Dimensions	Manufacturer Standard
Flange Ends Dimensions	DIN 2633
Inspection and Test	BS EN 12266

D71 118 516 PN16 DN500