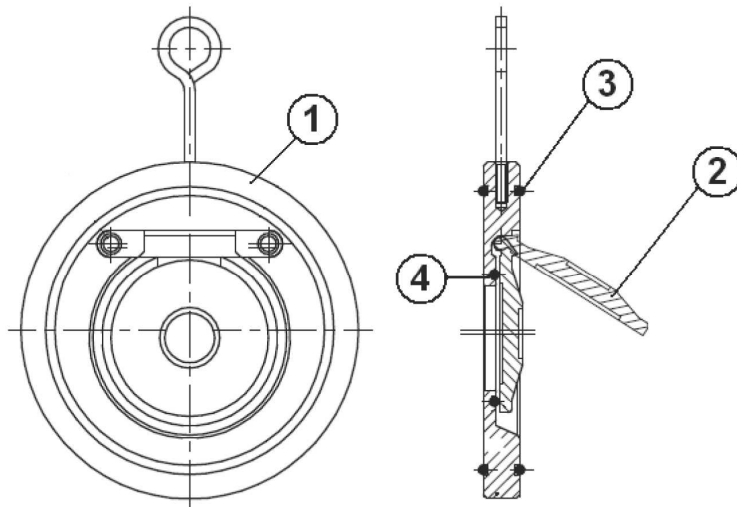
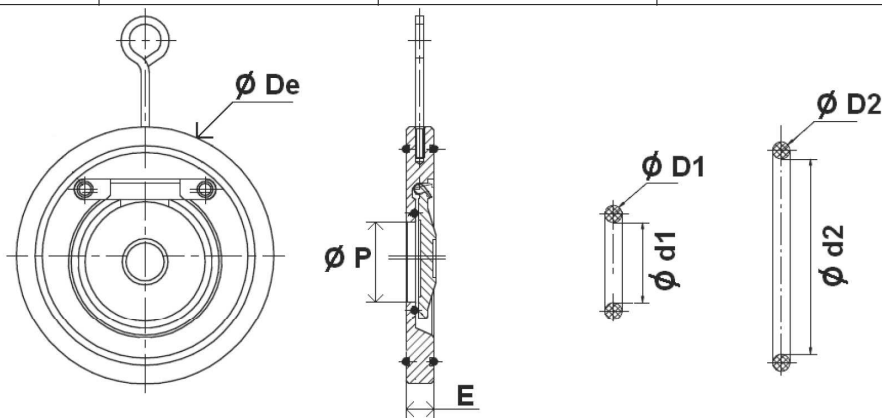


L01 107 416 – KLAPKA ZPĚTNÁ MEZIPŘÍRUBOVÁ



Item	Designation	Materials 351	Materials 364	Materials 365
1	Body	Carbon steel with chromium plated Q235	Carbon steel with chromium plated Q235	ASTM A351 CF8M
2	Disc	Carbon steel with chromium plated Q235	Carbon steel with chromium plated Q235	ASTM A351 CF8M
3	Seat	NBR	EPDM	FKM
4	Gasket	NBR	EPDM	FKM



Ref.	DN	40	50	65	80	100	125	150	200	250	300	350	400	450	500	600
351 364 / 365	E	14	14	14	14	18	18	20	22	26	32	36	41	50	56	56
	Ø De	94	109	129	144	164	194	220	275	330	380	442	494	554	616	733
	Ø P	22	32	40	54	70	92	112	154	192	227	270	315	359	410	490
	Ø d2	72	83	100.6	108.6	138.6	163	189.1	245.1	293.5	338.5	385	435	486	534	630
	Ø D2	3.5	3.5	3.7	3.7	3.7	3.5	3.7	3.7	3.5	6	8	8	8	8	8
	Ø d1	25.3	35.3	46.6	59.6	74.6	96	116.5	161.5	200.5	238.5	283.2	328.2	375.2	426.2	510.2
351 / 364	Weight (Kg)	0.69	0.86	1.2	1.49	2.42	3.29	4.72	7.92	13.73	21.04	31.5	47	70	96	135
365	Weight (Kg)	0.68	0.9	1.27	1.53	2.47	3.42	4.8	8.7	14.03	25.1	31.5	47	70	96	135

Teplotní omezení : do +120°C