

Fig.

Fig.476 PN16 DN15-DN200
Globe valve flange with bellow PN16/25



CE



Size : DN 15 to DN 200
Ends : Flanges R.F. PN16/25
Min Temperature : - 10°C
Max Temperature : + 350°C
Max Pressure : 25 Bars up to DN50 (16 bars over)
Specifications : Non rising stem
Bolted bonnet and gland pack
Stainless steel bellow

Materials : Ductile iron body

Fig.

Fig.476 PN16 DN15-DN200 Globe valve flange with bellow PN16/25

SPECIFICATIONS :

- Respect the flow direction indicated by the arrow
- Non rising stem
- Bolted bonnet and gland pack
- Stainless steel bellow
- Conical disc
- Pressed seat in the body
- Anti-turn device to avoid the risk of torsion of bellows
- Flanges R.F. PN25 up to DN50, PN16 over
- RAL 9006 grey painting, 15µm thickness

USE :

- Common fluids of 2nd group , steam , thermic fluid
- Min and Max Temperature Ts : - 10°C to + 350°C
- Max Pressure Ps : 25 bars up to DN50, 16 over (see graph)
- Keep greased the stem
- Steam : 10 bars max

FLOW COEFFICIENT Kvs (M3 / h) :

DN	15	20	25	32	40	50	65	80	100	125	150	200
Kvs (m3/h)	3.8	7	10	19	35	43	60	110	146	210	300	670

PRESSURE / TEMPERATURE GRAPH :

Pressure

(Bar)

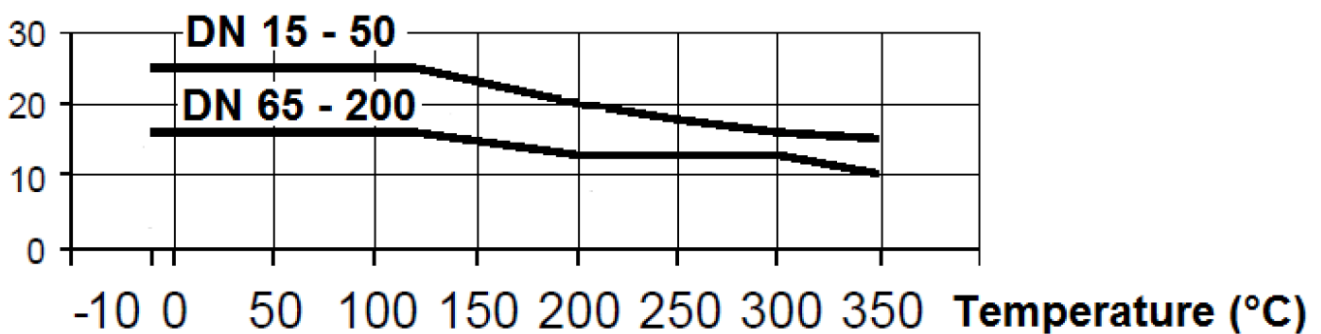
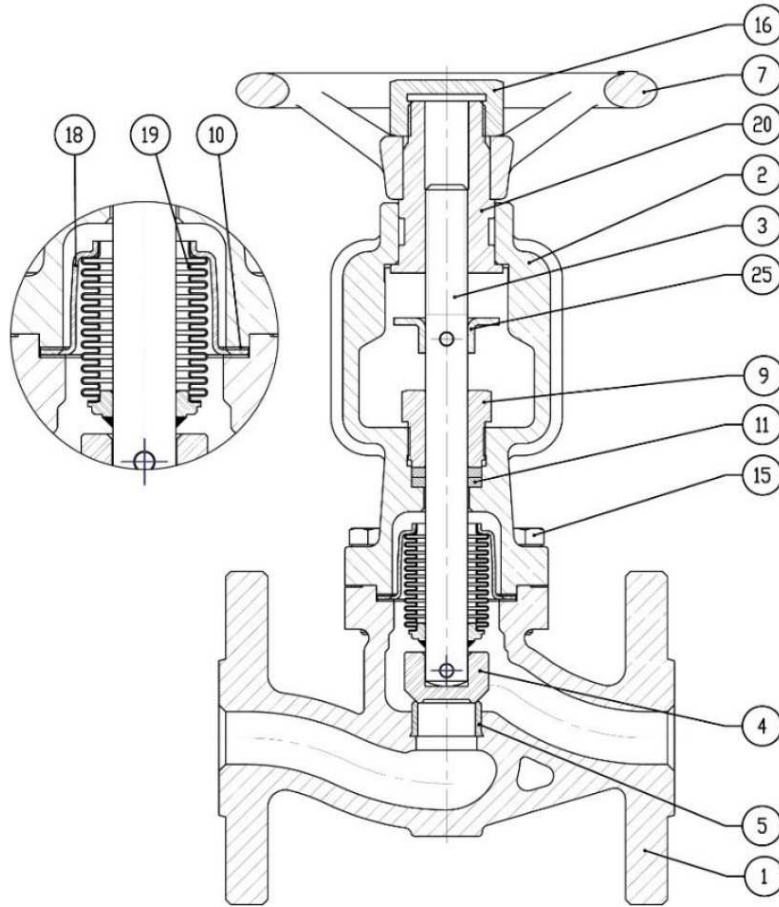


Fig.

**Fig.476 PN16 DN15-DN200
Globe valve flange with bellow PN16/25**

MATERIALS :

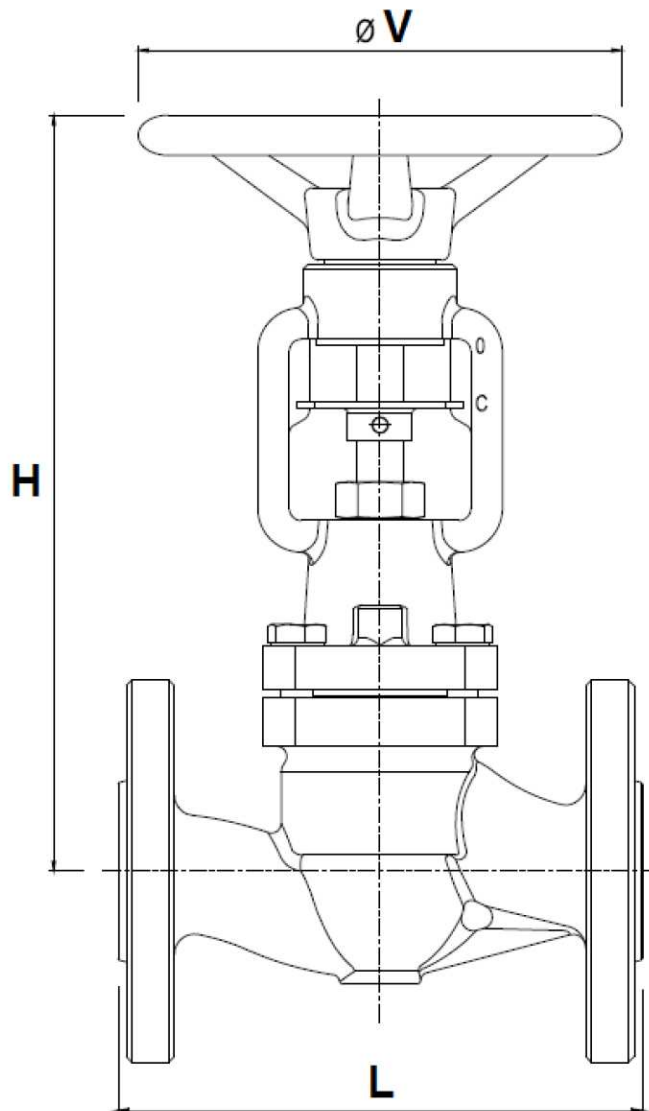


Item	Designation	Materials DN15-50	Materials DN65-100	Materials DN125-200
1	Body	Ductile iron EN GJS-400-18	Ductile iron EN GJS-400-18	Carbon steel A216 WCB 1.0619
2	Bonnet	A216 WCB 1.0619	EN GJS-400-18	EN GJS-400-18
3	Stem		AISI 303 (1.4305)	
4	Disc		AISI 420 (1.4021)	
5	Seat		X 22 CrNi 17 (1.4059)	
7	Handwheel		EN GJS-400	
9	Gland		Steel EN 10087	
10	Gasket		Graphite	
11	Packing		Graphite	
15	Screw		Steel C35E	
16	Handwheel nut		Steel EN 10087	
18	Hood		AISI 303 (1.4305)	
19	Bellow		AISI 316 Ti (1.4571)	
20	Threaded bushing		Steel EN 10087	
25	Anti turn device		Steel EN 10025	
	Lubricator		Brass	

Fig.

Fig.476 PN16 DN15-DN200
Globe valve flange with bellow PN16/25

SIZE (in mm) :

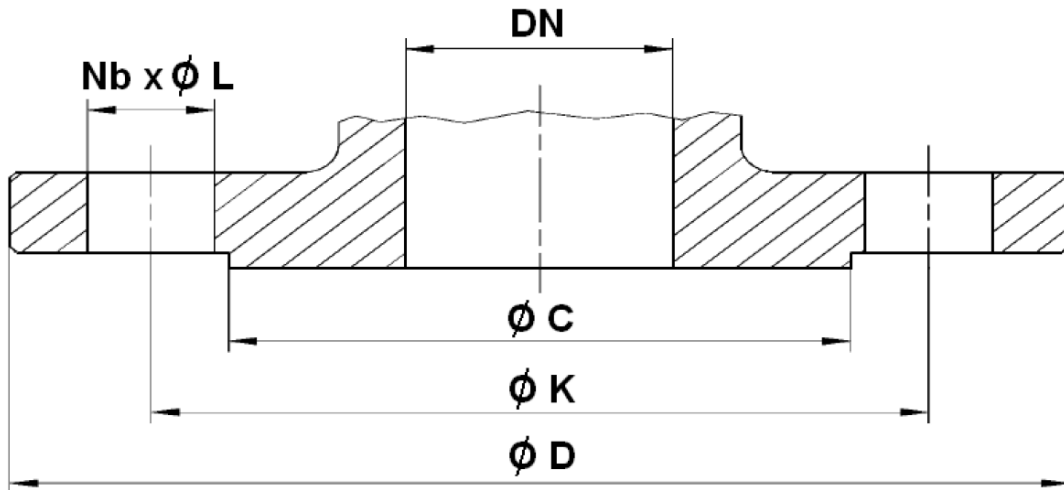


Ref.	DN	15	20	25	32	40	50	65	80	100	125	150	200
476	L	130	150	160	180	200	230	290	310	350	400	480	600
	H	190	195	220	219	254	265	328	341	376	488	531	663
	ø V	140	140	140	140	180	180	200	200	250	330	330	400
	Weight (Kg)	3.2	4.4	4.8	6.3	11	13	21.3	26.4	40	53.5	84	157

Fig.

Fig.476 PN16 DN15-DN200
Globe valve flange with bellow PN16/25

FLANGES SIZE (in mm) :



Ref.	DN	15	20	25	32	40	50	65	80	100	125	150	200
476	Ø C	46	56	65	76	84	99	118	132	156	184	211	266
	Ø D	95	105	115	140	150	165	185	200	220	250	285	340
	Ø K	65	75	85	100	110	125	145	160	180	210	240	295
	Nb x Ø L	4 x 14	4 x 14	4 x 14	4 x 19	4 x 19	4 x 19	4 x 19	8 x 19	8 x 19	8 x 19	8 x 23	12 x 23

Fig.

Fig.476 PN16 DN15-DN200 Globe valve flange with bellow PN16/25

STANDARDS :

- Fabrication according to ISO 9001 : 2008
- Designing according to DIN 3840
- Marking according to EN 19
- DIRECTIVE 97/23/CE : CE N° 0035
Risk category III Module H
- Pressure Tests according to EN 12266-1, range A
- Length according to EN 558 series 1 (DIN 3202 F1)
- Flanges R.F. according to EN 1092-2 PN16-PN25