

K85

**K85 131.717 class800 DN1/4"-2"
Ball valve threaded BSP - NPT**



Size : DN 1/4" to DN 2"
Ends : Threaded female BSP, NPT or S.W.
Min Temperature : - 30°C in S.S. and - 20°C in carbon steel
Max Temperature : + 180°C
Max Pressure : 138 Bars (Class 800)
Specifications : Anti blow-out stem
Fire safe
Full bore

Materials : Carbon steel or Stainless steel

K85

K85 131.717 class800 DN1/4"-2" Ball valve threaded BSP - NPT

SPECIFICATIONS :

- Full bore
- Anti blow-out stem
- Class 800
- Fire safe according to BS 6755 part.2
- Atex
- Antistatic device
- 2 pieces type
- Galvanization treatment of zinc anti-corrosion coating, 8 μ thickness (for ref.717)

USE :

- Chemical and pharmaceutical industries, petrochemical industries, hydraulic installation, compressed air
- Min and max Temperature Ts : - 30°C to + 180°C for stainless steel type **Ref.716**
- Min and max Temperature Ts : - 20°C to + 180°C for carbon steel type **Ref.717**
- Max Pressure Ps : 138 bars
- Steam : 10 bars maximum

RANGE :



- Ball valve class 800 forged carbon steel ASTM A105N body **Ref. 717** DN 1/4" to DN 2"



- Ball valve class 800 forged stainless steel body ASTM A182 F316L **Ref. 716** DN 1/4" to DN 2"



- Stainless steel 304 with red cover handle **Ref. 9830316-9830318**



- Locking device **Ref. 9830301-9830315**



- Galvanized steel handwheel **Ref.9830571-9830574**

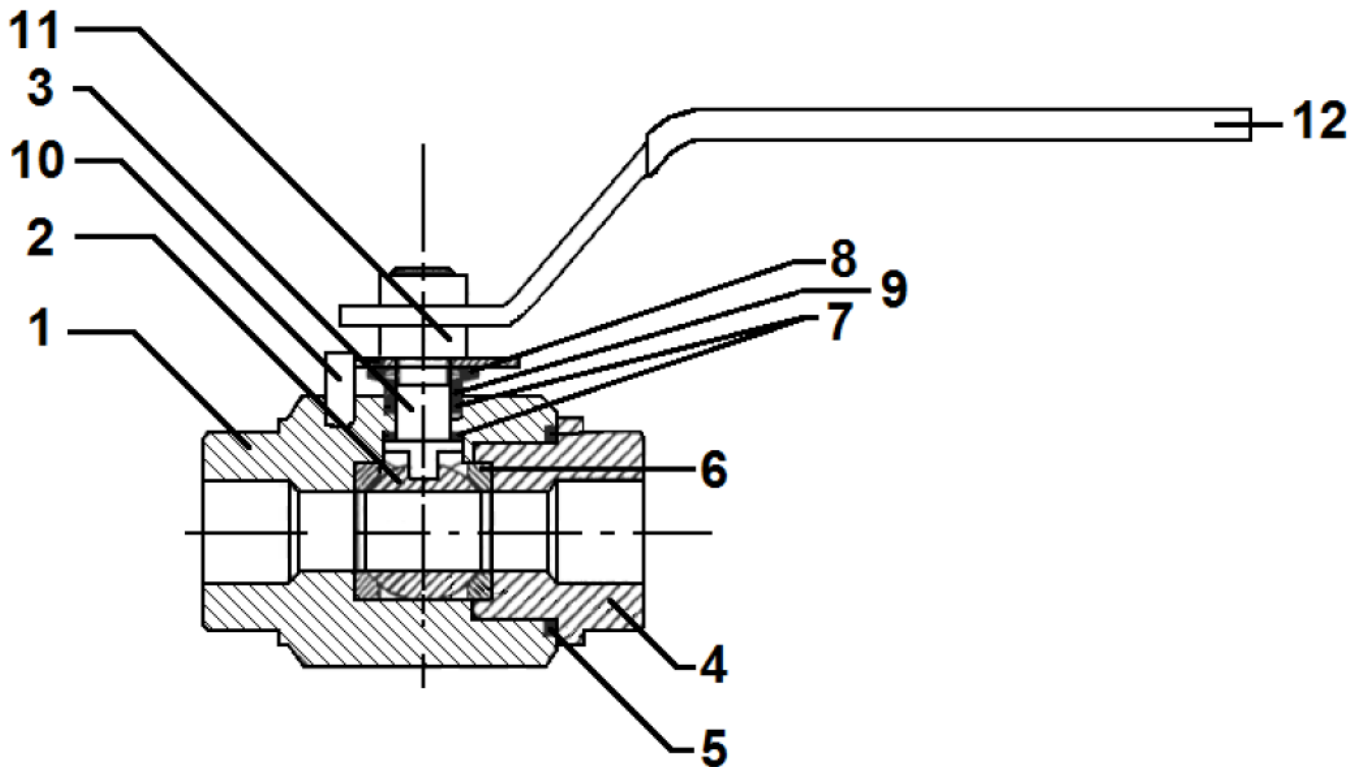
ENDS :

- Female / female threaded cylindrical BSP **Ref. 716 and 717**
- Female / female threaded NPT **Ref. 7161 and 7171**
- Socket Welding ends **Ref. 7162 and 7172**

K85

K85 131.717 class800 DN1/4"-2"
Ball valve threaded BSP - NPT

MATERIALS :

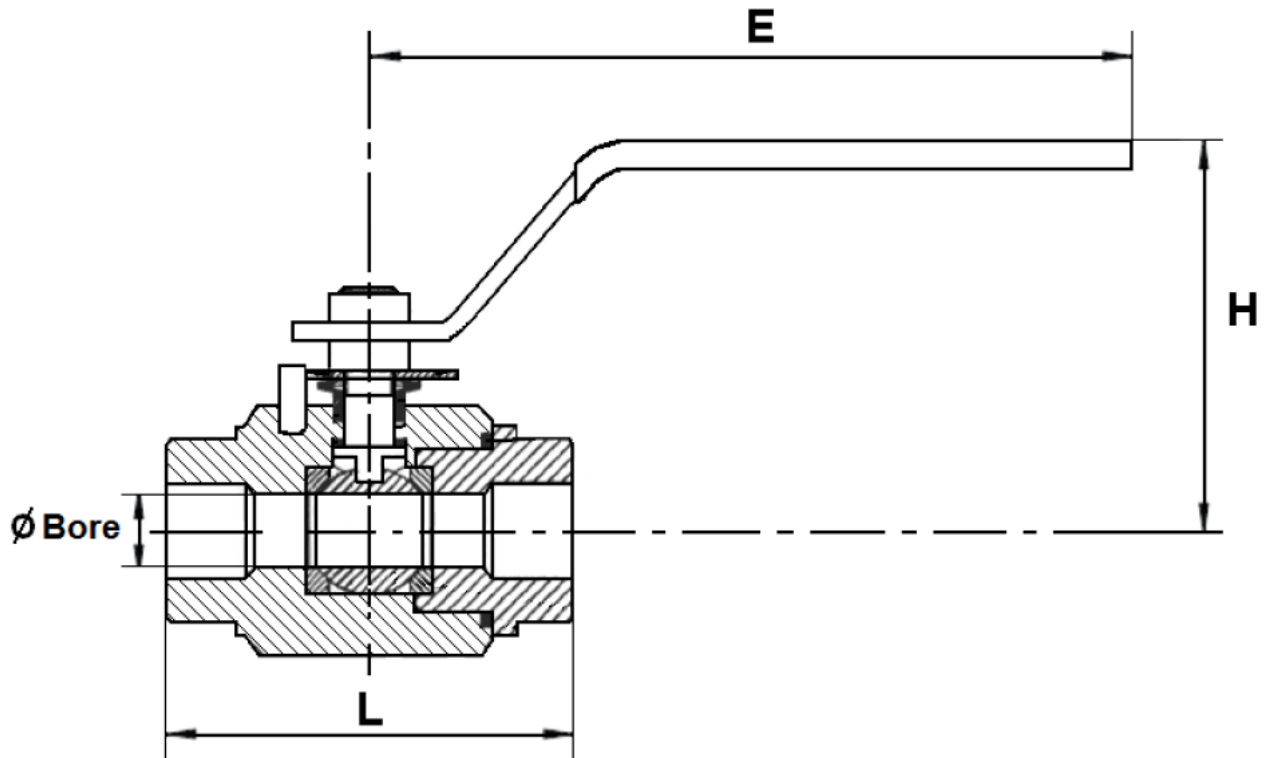


Item	Designation	Materials 717	Materials 716
1	Body	ASTM A105N	ASTM A182 F316L
2	Ball	ASTM A182 F316L	
3	Stem	ASTM A182 F316L	
4	Ends	ASTM A105N	ASTM A182 F316L
5	Body gasket	Carbongraphite	
6	Seat	PTFE + carbongraphite	
7	Stem gasket	Carbongraphite	
8	Disc springs	Steel	
9	Packing gland	ASTM A105	F304
10	Stop	FE P11 (UNI 5867)	
11	Nut	Steel 6S	
12	Handle	FE P11 (UNI 5867)	

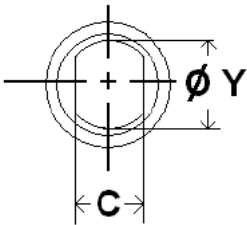
K85

K85 131.717 class800 DN1/4"-2"
Ball valve threaded BSP - NPT

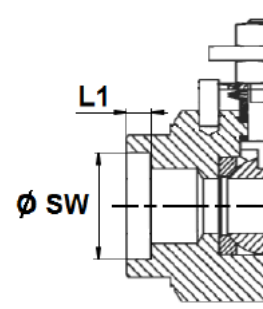
SIZE (in mm) :



Stem size :



SW ends size (Ref.7162 and 7172) :

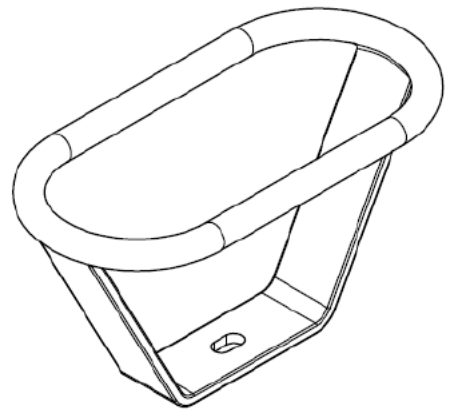
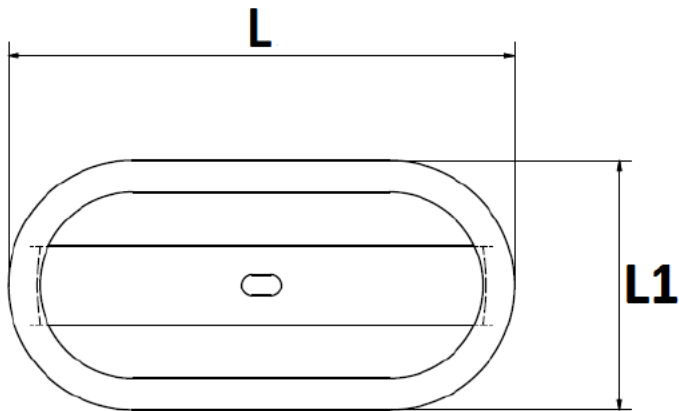
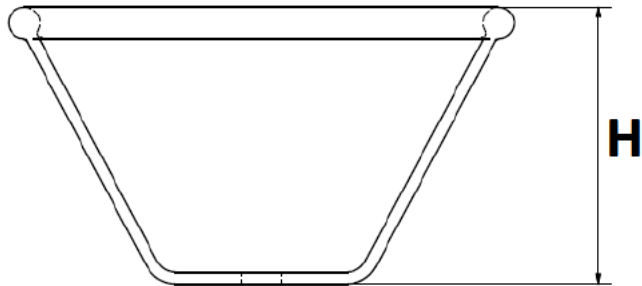


Ref.	DN	8	10	15	20	25	32	40	50
716 / 717	Ø Bore	10	10	15	20	25	30	38	48
	L	67	67	75	90	105	120	135	155
	E	148	148	148	180	180	240	240	280
	H	72	72	75	85	95	100	105	115
	C	5	5	5.5	7.5	7.5	9	9	9
	Ø Y	8	8	10	12	12	14	14	14
	Ø SW	14.3	17.8	21.8	27.3	34	42.6	48.7	61.3
	L1	9.5	9.5	9.5	11.5	13	14	16	17
	Weight (Kg)	0.6	0.6	0.8	1.5	2	3.3	4.5	6

K85

K85 131.717 class800 DN1/4"-2"
Ball valve threaded BSP - NPT

HANDWHEEL SIZE (in mm) :



DN	1/4"	3/8"	1/2"	3/4"	1"	1"1/4	1"1/2	2"
H	70	70	70	64	64	80	80	80
L	128	128	128	130	130	205	205	205
L1	63	63	63	82	82	105	105	105
Ref.	9830571	9830571	9830572	9830573	9830573	9830574	9830574	9830574
Weight (Kg)	0.300	0.300	0.380	0.420	0.420	0.460	0.460	0.460

K85

K85 131.717 class800 DN1/4“-2“ Ball valve threaded BSP - NPT

STANDARDS :

- Fabrication according to ISO 9001 : 2008
- DIRECTIVE 97/23/CE : CE N° 0948
Risk category III Module B+C1
- Pressure tests according to API 598, table 6
- Fire safe according to B.S. 6755 part.2
- Threaded female BSP cylindrical ends according to ISO 228/1
- Threaded female NPT ends according to ANSI B2.1
- Materials according to NACE MR 01-75
- ATEX Group II Category 2 G/2D Zone 1 & 21 Zone 2 & 22 (optional marking)

INSTALLATION AND MAINTENANCE

BEFORE INSTALLATION :

- Pipe-line must be cleaned and free from residual of weldings, rubbish, shaving and every kind of extraneous materials.
- Pipe-line must be perfectly aligned and their support properly dimensioned so that there's no external constraint.
- Please use the right product according to the services conditions to seal the valve.
- Use the right bolt tightening so that the ends won't be damaged.
- **During welding operation, for S.W. types half open the valve and weld the valves according to special procedures (like in water) to protect the seat because it could burn.**

CLEANING AND TESTS

- Keep closed the valves during the cleaning operation so that there's no impurities between the ball and the body.
- Tests under pressure must be done with a cleaned pipe-line.
- Open partially the valve for tests. Pressure test do not exceed the valve specifications according to API 598.

MAINTENANCE

- It's recommended to operate the valve (open and close) 1 to 2 times per year.
- When intervention on the valve, be sure there's no pressure in the pipe-line, there's no fluid in it, and that it is isolated.
- The temperature must be low enough to operate without risks.
- If there's a corrosive fluid, inert installation before intervention.