

L02

L02 107 016.365 DN40-DN600
Check valves single plate wafer



Size : DN 40 to 600

Ends : Between flanges PN10/16

Min Temperature : - 10°C

Max Temperature : +80°C in NBR, 110°C in EPDM , 180°C in FKM

Max Pressure : 16 Bars up to DN200 (10 bars over)

Specifications : Wafer swing check valve
Vertical or horizontal position
Between flanges type

Materials : Carbon steel or Stainless steel

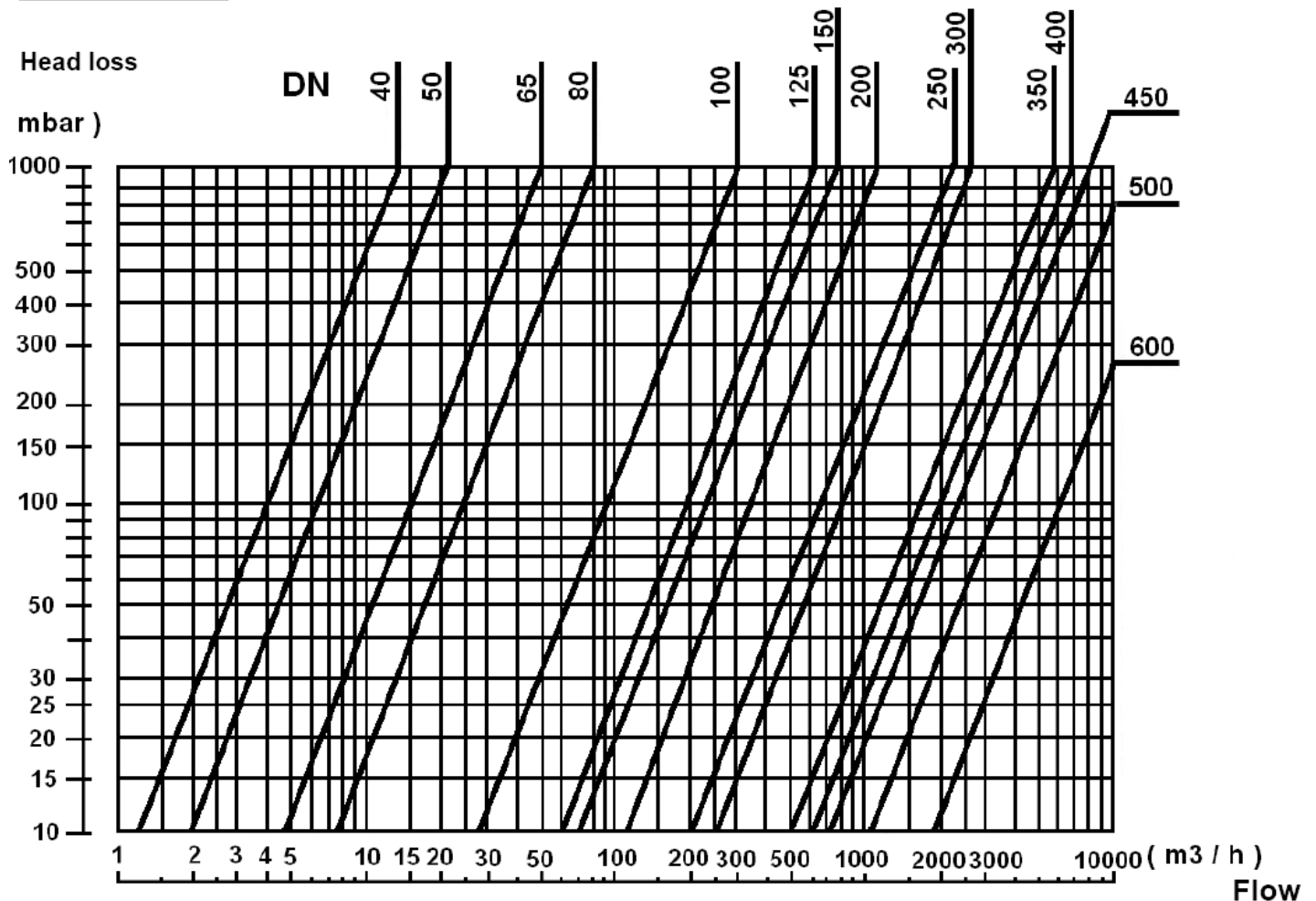
SPECIFICATIONS :

- Wafer swing check valve
- Vertical position with ascendant fluid or horizontal position (respect the flow direction indicated by the arrow)
- Between flanges PN10/16
- With hoisting eye
- Short length
- Economical solution
- Monobloc disc and stem for a better mechanical strength
- Integrated body gasket

USE :

- Heating, water distribution and watering
- Min and max Temperature Ts : - 10°C to + 80°C for carbon steel NBR type **Ref.351**
- Min and max Temperature Ts : - 10°C to + 110°C for carbon steel EPDM type **Ref.364**
- Min and max Temperature Ts : - 10°C to + 180°C for stainless steel FKM type **Ref.365**
- Max Pressure Ps : 16 bars up to DN 200 included and 10 bars over
- **Do not use with pulsatory speed**
- **Max Speed : 3 M. / Sec.**

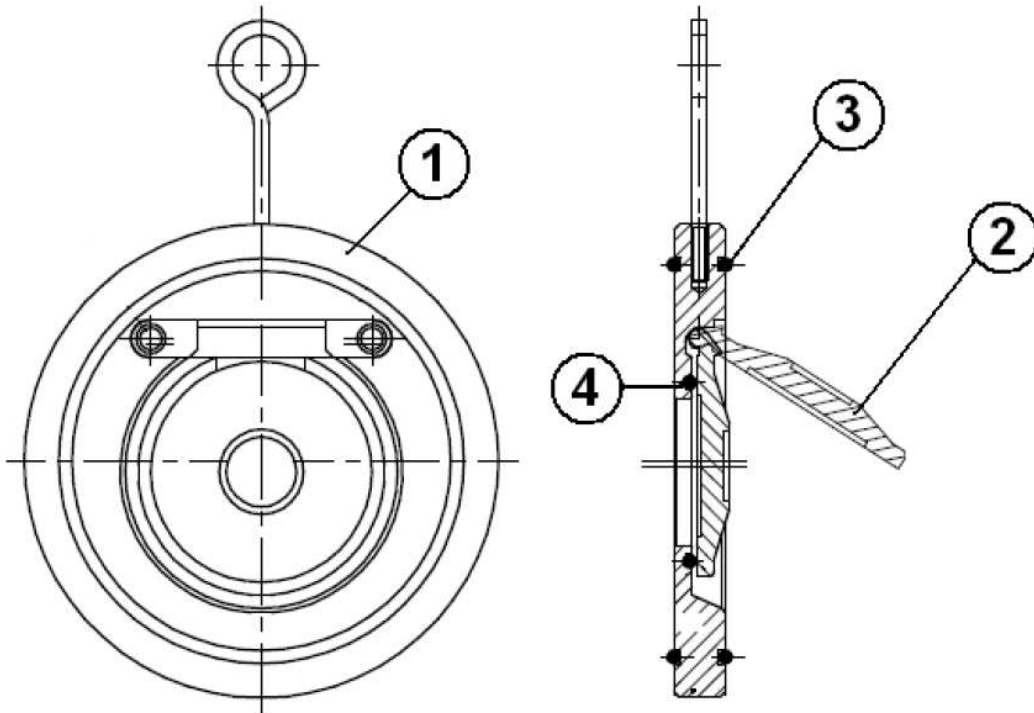
HEAD LOSS GRAPH :



RANGE :

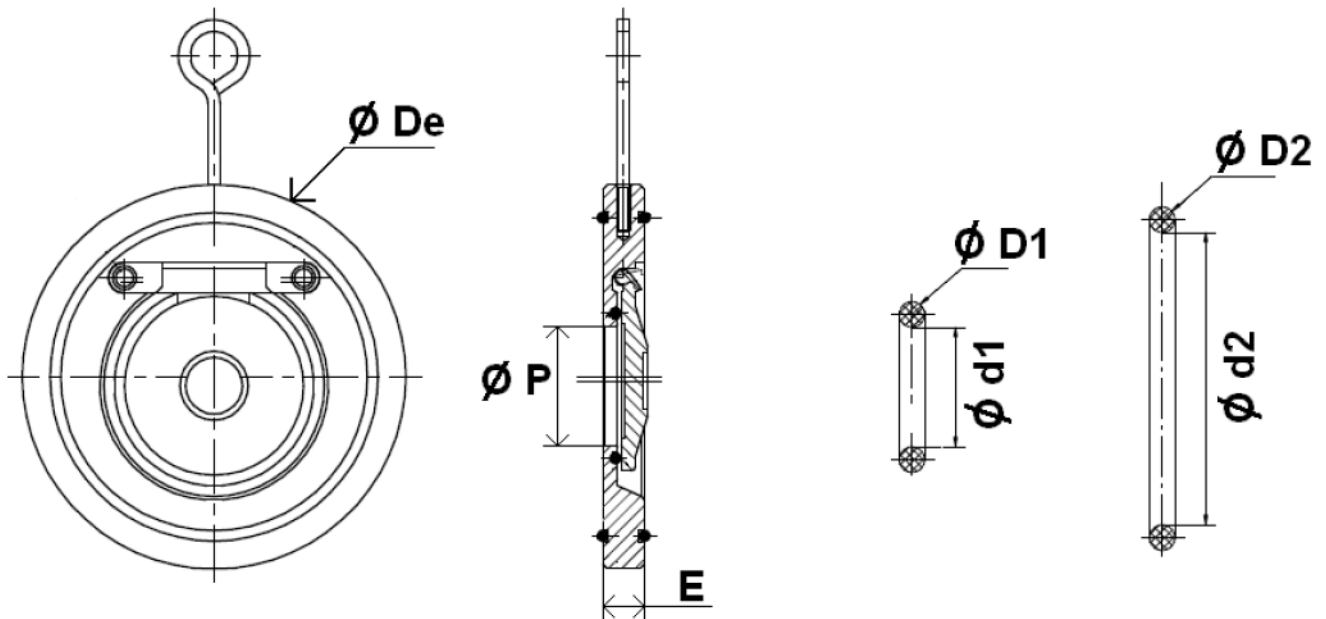
- Galvanized carbon steel body with NBR gasket between flanges PN16 **Ref. 351** DN40 to DN 300
- Galvanized carbon steel body with EPDM gasket between flanges PN16 **Ref. 364** DN40 to DN 600
- Stainless steel body with FKM gasket between flanges PN16 **Ref. 365** DN40 to DN 600
- Stainless steel body with FKM gasket between flanges PN10 **Ref. 365401 and 365451** DN400 to DN 450

MATERIALS :



| Item | Designation | Materials 351 | Materials 364 | Materials 365 |
|------|-------------|----------------------------------------|----------------------------------------|----------------|
| 1 | Body | Carbon steel with chromium plated Q235 | Carbon steel with chromium plated Q235 | ASTM A351 CF8M |
| 2 | Disc | Carbon steel with chromium plated Q235 | Carbon steel with chromium plated Q235 | ASTM A351 CF8M |
| 3 | Seat | NBR | EPDM | FKM |
| 4 | Gasket | NBR | EPDM | FKM |

SIZE BETWEEN PN16 FLANGES TYPES (in mm) :

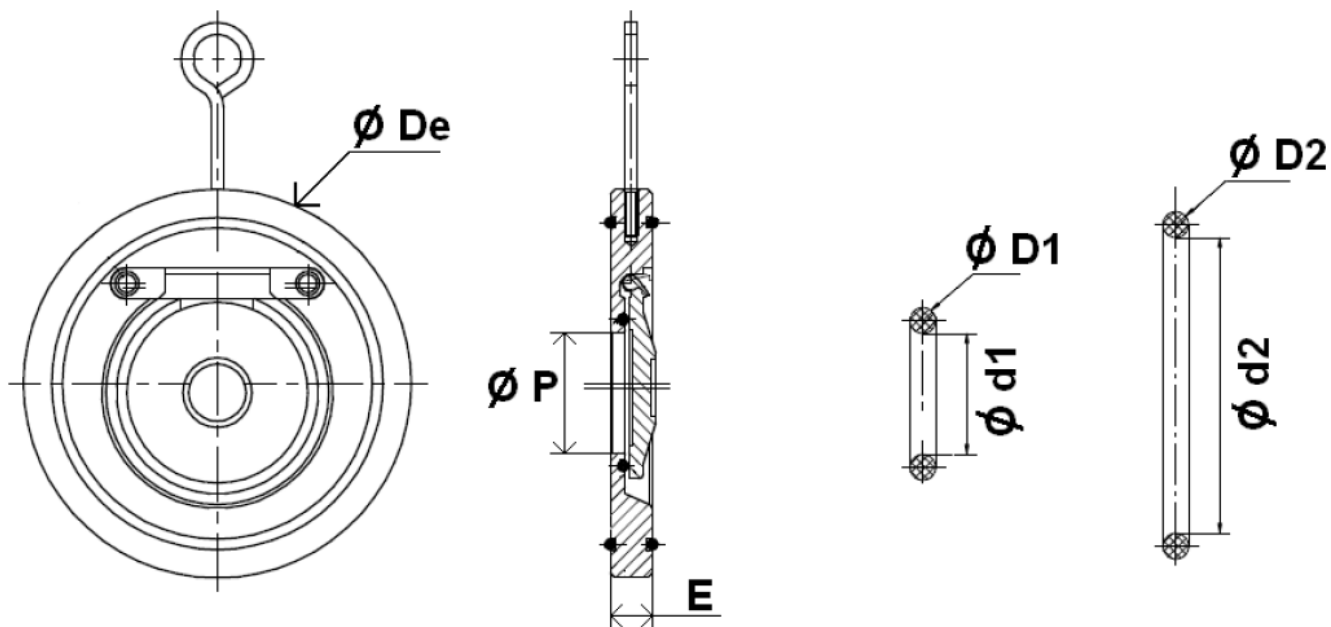


| Ref. | DN | 40 | 50 | 65 | 80 | 100 | 125 | 150 | 200 | 250 | 300 | 350 | 400 | 450 | 500 | 600 |
|------------------|----------------|------|------|-------|-------|-------|-------|-------|-------|-------|-------|------|-----|-----|-----|-----|
| 351 364 / 365 | E | 14 | 14 | 14 | 14 | 18 | 18 | 20 | 22 | 26 | 32 | 38 | 44 | 50 | 56 | 62 |
| | Ø De | 94 | 109 | 129 | 144 | 164 | 194 | 220 | 275 | 331 | 386 | 446 | 497 | 557 | 619 | 736 |
| | Ø P | 22 | 32 | 40 | 54 | 70 | 92 | 112 | 154 | 192 | 227 | 270 | 315 | 358 | 410 | 490 |
| | Ø d2 | 73.5 | 84.5 | 104.5 | 112.5 | 140.5 | 164.5 | 193.5 | 249.5 | 295.5 | 314.5 | 387 | 437 | 488 | 536 | 632 |
| | Ø D2 | 3.5 | 3.5 | 3.7 | 3.7 | 3.7 | 3.5 | 3.7 | 3.7 | 3.5 | 6 | 8 | 8 | 8 | 8 | 8 |
| | Ø d1 | 26.5 | 36.5 | 49.5 | 62 | 76.5 | 97.5 | 118.5 | 163.5 | 202.5 | 242 | 285 | 330 | 377 | 428 | 512 |
| | Ø D1 | 2.35 | 2.35 | 2.7 | 2.7 | 3.7 | 3.5 | 3.5 | 3.5 | 3.5 | 6 | 8 | 8 | 8 | 8 | 8 |
| 351 / 364 | Weight (in Kg) | 0.69 | 0.86 | 1.2 | 1.49 | 2.42 | 3.29 | 4.72 | 7.92 | 13.73 | 21.04 | 31.5 | 47 | 70 | 96 | 135 |
| 365 | Weight (in Kg) | 0.68 | 0.9 | 1.27 | 1.53 | 2.47 | 3.42 | 4.8 | 8.7 | 14.03 | 25.1 | 31.5 | 47 | 70 | 96 | 135 |

L02

L02 107 016.365 DN40-DN600 Check valves single plate wafer

SIZE BETWEEN PN10 FLANGES TYPES (in mm) :



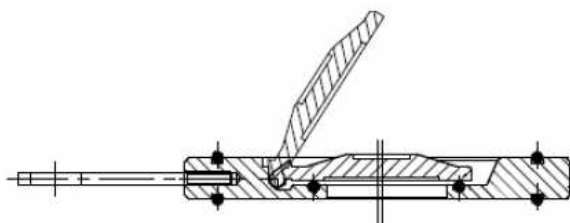
| DN | 400 | 450 |
|------------------|--------|--------|
| E | 44 | 50 |
| $\varnothing De$ | 491 | 541 |
| $\varnothing P$ | 315 | 358 |
| $\varnothing d2$ | 437 | 488 |
| $\varnothing D2$ | 8 | 8 |
| $\varnothing d1$ | 330 | 377 |
| $\varnothing D1$ | 8 | 8 |
| Weight (in Kg) | 47 | 70 |
| Ref. | 365401 | 365451 |

STANDARDS :

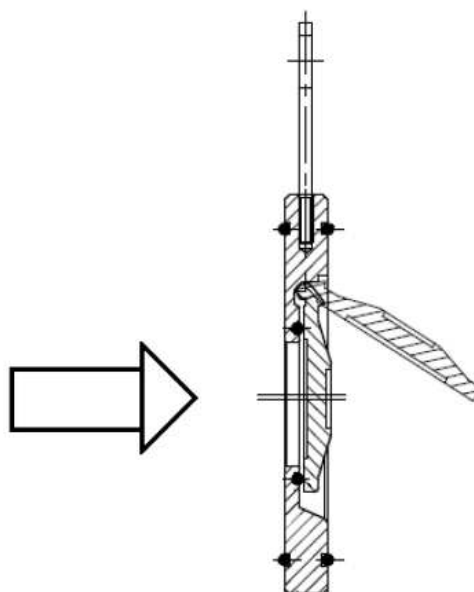
- Fabrication according to ISO 9001: 2008
- Designing according to API 594
- Pressure tests according to API 598, table 6
- DIRECTIVE 97/23/CE : Products excluded (article 1, § 3-2)
- Length according to EN 558 series 97 (NF 29377)
- Between flanges according to EN 1092-1 PN10/16

INSTALLATION POSITIONS :

Vertical position (ascendant fluid)



Horizontal position



INSTALLATION INSTRUCTIONS

GENERAL GUIDELINES :

- Ensure that the check valves to be used are appropriate for the conditions of the installation (type of fluid, pressure and temperature).
- Be sure to have enough valves to be able to isolate the sections of piping as well as the appropriate equipment for maintenance and repair.
- Ensure that the valves to be installed are of correct strength to be able to support the capacity of their usage.

INSTALLATION INSTRUCTIONS :

- **Before installing the check valves, clean and remove any objects from the pipes** (in particular bits of sealing and metal) which could obstruct and block the valves.
- **Ensure that both connecting pipes either side of the check valve (upstream and downstream) are aligned** (if they're not, the valves may not work correctly).
- **Make sure that the two sections of the pipe (upstream and downstream) match, the check valve unit will not absorb any gaps. Any distortions in the pipes may affect the tightness of the connection, the working of the check valve and can even cause a rupture.** To be sure, place the kit in position to ensure the assembling will work.
- Make sure there is enough space so that the disc can be opened totally in the pipe.
- If there is a direction changing or if there's another material, it's better to take away the check valve so that it is outside the turbulence area (**between 3 and 5 times the ND before and after**).
- After a pump please refer to FD CEN/TR 13932 standard to install the check valve.