

L10

L10 117 616.363 DN50 - DN300
Check valve flange with strainer basket



Certificate 3.1



Size : DN 50 to 300
Ends : Flanged PN16
Min Temperature : - 10°C
Max Temperature : + 110°C
Max Pressure : 16 Bars
Specifications : Stainless steel disc
All positions

Materials : Cast iron body EN GJL-250

L10

L10 117 616.363 DN50 - DN300 Check valve flange with strainer basket

SPECIFICATIONS :

- All positions
- Respect the flow direction indicated by the arrow
- Flanged R.F. PN16
- Stainless steel disc with spring
- Epoxy blue RAL 003 painting 80 microns thickness

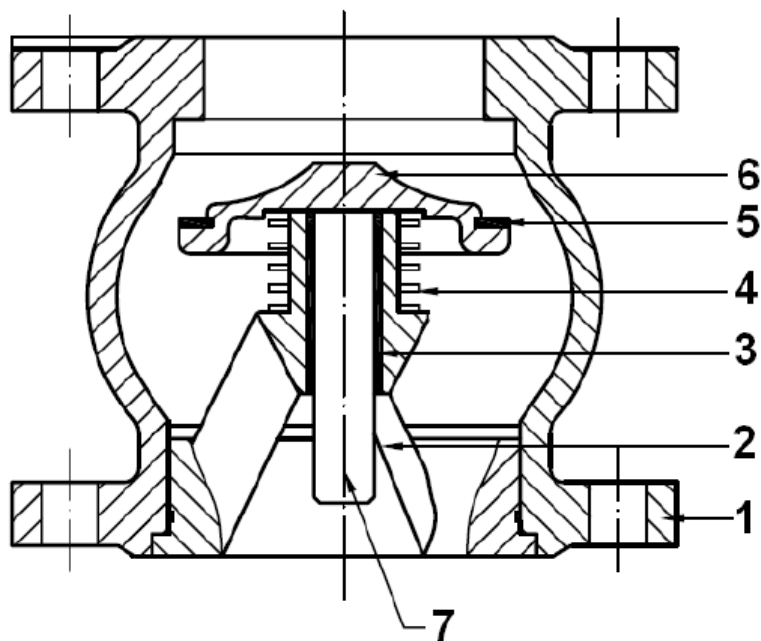
USE :

- Water distribution
- Min Temperature Ts : - 10°C
- Max Temperature Ts :+ 110°C
- Max Pressure Ps : 16 bars

RANGE :

- Flanged PN16 DN50 to DN300 **Ref.369**
- Flanged PN16 from DN50 to DN250 with steel strainer basket **Ref.368** (Ref.369+367)

MATERIALS :

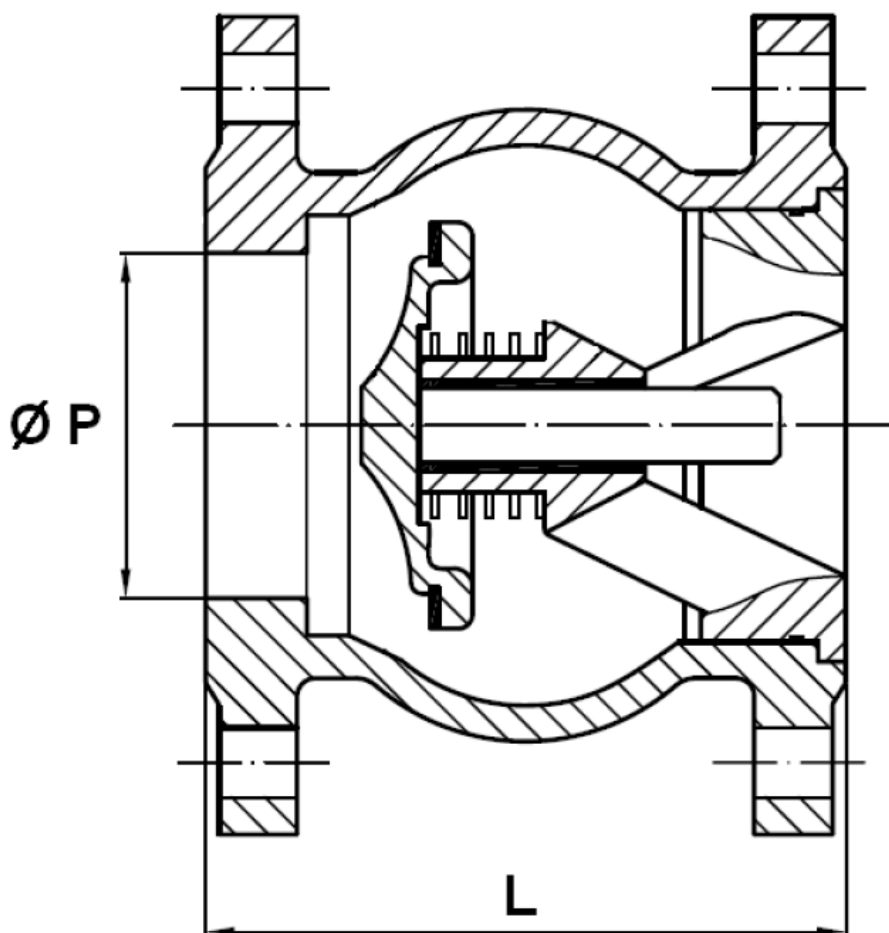


Item	Designation	Materials
1	Body	Cast iron EN-GJL-250
2	Guide	Cast iron EN-GJL-250
3	Bushing	Bronze
4	Spring	AISI 304
5	Gasket	EPDM
6	Disc	AISI 304
7	Shaft	AISI 416

L10

L10 117 616.363 DN50 - DN300
Check valve flange with strainer basket

SIZE REF. 369 (in mm) :

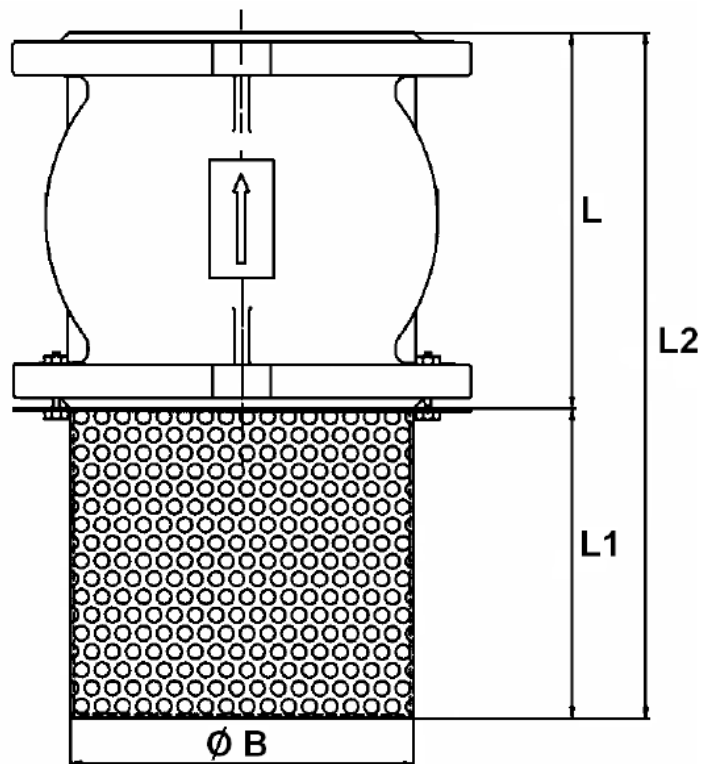


Ref.	DN	50	65	80	100	125	150	200	250	300
369	Ø P	56	65	81	105	125	150	200	250	300
	L	100	120	135	165	200	231	288	354	395
	Weight (Kg)	6	9	11	15.5	23.5	34.5	56.5	97.5	145.5

L10

L10 117 616.363 DN50 - DN300 Check valve flange with strainer basket

SIZE REF. 368 (in mm) :

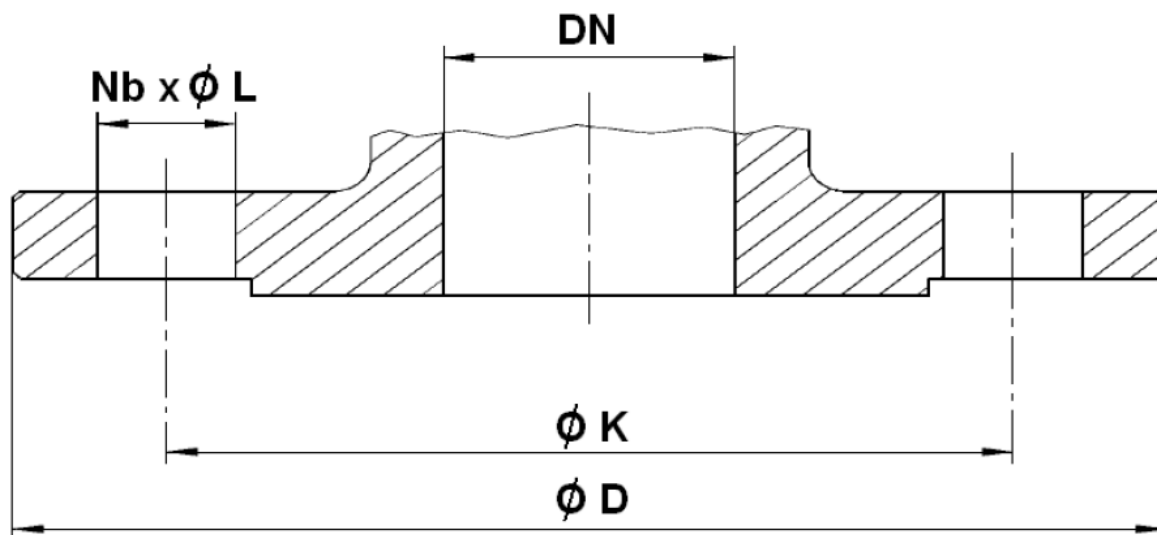


Ref.	DN	50	65	80	100	125	150	200	250
368	L	100	120	135	165	200	231	288	354
	L1	77	110	125	155	170	220	300	390
	L2	177	230	260	320	370	451	588	744
	Ø B	93	113	128	148	178	200	255	310
	Mesh	6	6	6	6	6	6	6	6
	Weight (Kg)	6.59	9.76	11.83	16.7	24.99	36.3	59.28	101.88

L10

L10 117 616.363 DN50 - DN300
Check valve flange with strainer basket

FLANGES SIZE REF.369 (in mm) :



Ref.	DN	50	65	80	100	125	150	200	250	300
369	Ø D	165	185	200	220	250	285	340	405	460
	Ø K	125	145	160	180	210	240	295	355	410
	Nb x Ø L	4 x 19	4 x 19	8 x 19	8 x 19	8 x 19	8 x 23	12 x 23	12 x 28	12 x 28

L10

L10 117 616.363 DN50 - DN300
Check valve flange with strainer basket

STANDARDS :

- Fabrication according to ISO 9001 : 2015
- DIRECTIVE 2014/68/EU : Products excluded from directive (Article 4, § 3)
- Certificate 3.1 on request
- Pressure tests according to API 598, table 6
- Flanged R.F. according to EN 1092-2 PN16

INSTALLATION INSTRUCTIONS

GENERAL GUIDELINES :

- Ensure that the check valves to be used are appropriate for the conditions of the installation (type of fluid, pressure and temperature).
- Be sure to have enough valves to be able to isolate the sections of piping as well as the appropriate equipment for maintenance and repair.
- Ensure that the valves to be installed are of correct strength to be able to support the capacity of their usage.

INSTALLATION INSTRUCTIONS :

- **Before installing the check valves, clean and remove any objects from the pipes** (in particular bits of sealing and metal) which could obstruct and block the valves.
- **Ensure that both connecting pipes either side of the check valve (upstream and downstream) are aligned** (if they're not, the valves may not work correctly).
- **Make sure that the two sections of the pipe (upstream and downstream) match, the check valve unit will not absorb any gaps. Any distortions in the pipes may affect the tightness of the connection, the working of the check valve and can even cause a rupture.** To be sure, place the kit in position to ensure the assembling will work.
- **If sections of piping do not have their final support in place, they should be temporarily fixed. This is to avoid unnecessary strain on the check valve.**
- **If there is a direction changing or if there's another material, it's better to take away the check valve so that it is outside the turbulence area (between 3 and 5 times the ND before and after).**
- **After a pump please refer to FD CEN/TR 13932 to install the check valve :**
 - If it is essential to keep priming the pump, a non-return check valve can be fitted to the suction pipe at a distance **L1 (straight length suction) > 10xD1 (diameter suction)**
The check valve is designed to meet the maximum flow rate in service
 - In other cases, the non-return check valve is mounted on the discharge pipe at a distance of **L2 (straight length at discharge) > 3xD2 (diameter at discharge)**