

K85

K85 111 616.507 DN15-DN200 Ball valve flange



Size : DN 15 to DN 200
Ends : PN10/16 Flanges
Min Temperature : -10°C
Max Temperature : + 200°C
Max Pressure : 16 Bars
Specifications : Full bore
Stainless steel ball
ISO 5211 mounting pad

Materials : Cast iron body

SPECIFICATIONS :

- Full bore
- Anti blow-out stem
- With O ring FKM on stem and PTFE washer
- ISO 5211 mounting pad
- PN10/16 Flanges R.F. up to DN150 and PN16 for DN200 (Threaded holes flanges for DN 125 and 150)
- Solid stainless steel ball up to DN 25, hollow ball from DN 32 to DN 200
- Black painting colour RAL 9004 5-15 microns thickness

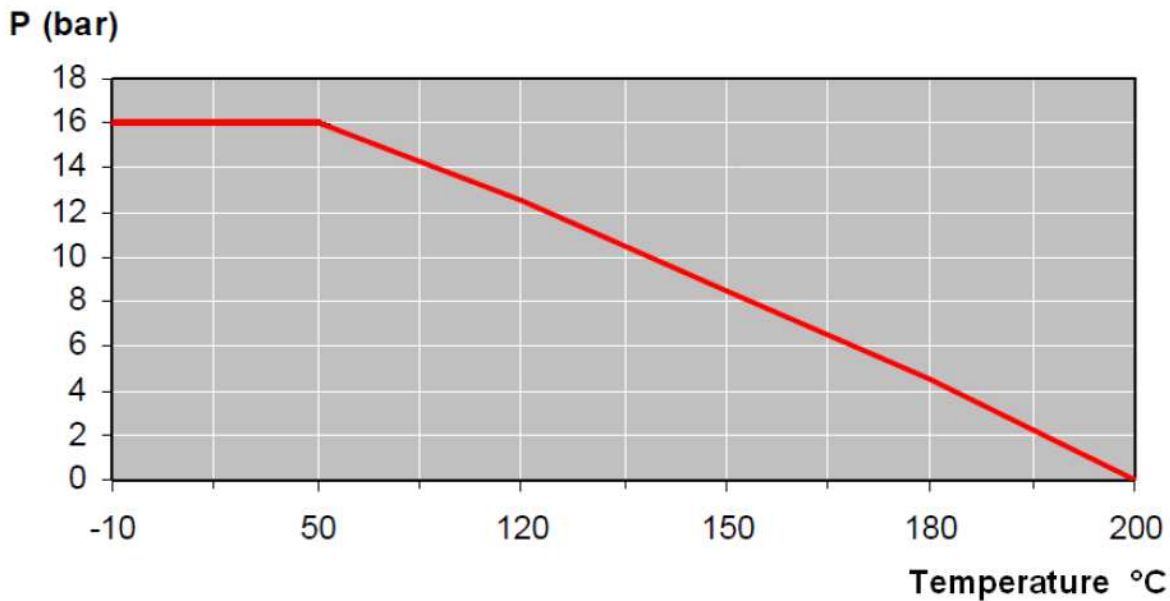
USE :

- For all common fluids
- Min and max Temperature Ts : - 10°C to + 200°C
- Max Pressure Ps : 16 bars
- **Do not use with steam**
- **Do not use with compressed air**

RANGE :

- Cast iron flanges R.F. with s.s. ball PN10/16 from DN15 to DN150 and PN16 for DN200 **Ref. 507** from DN 15 to DN 200

PRESSURE / TEMPERATURE GRAPH (STEAM EXCLUDED) :



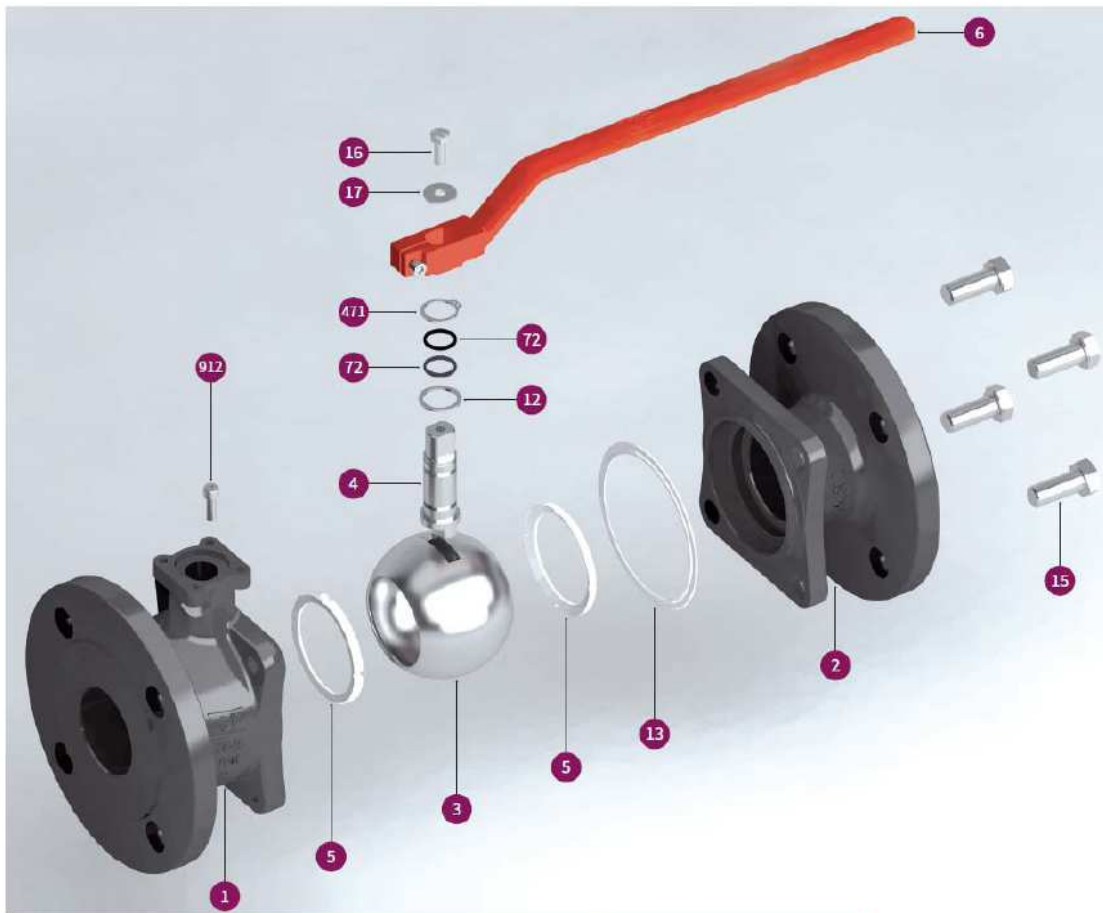
FLOW COEFFICIENT Kvs (in M3/H) :

DN	15	20	25	32	40	50	65	80	100	125	150	200
Kvs (M3 / H)	37.4	74.8	105	176	223	416	660	1200	1980	3600	5040	10890

K85

K85 111 616.507 DN15-DN200 Ball valve flange

MATERIALS :

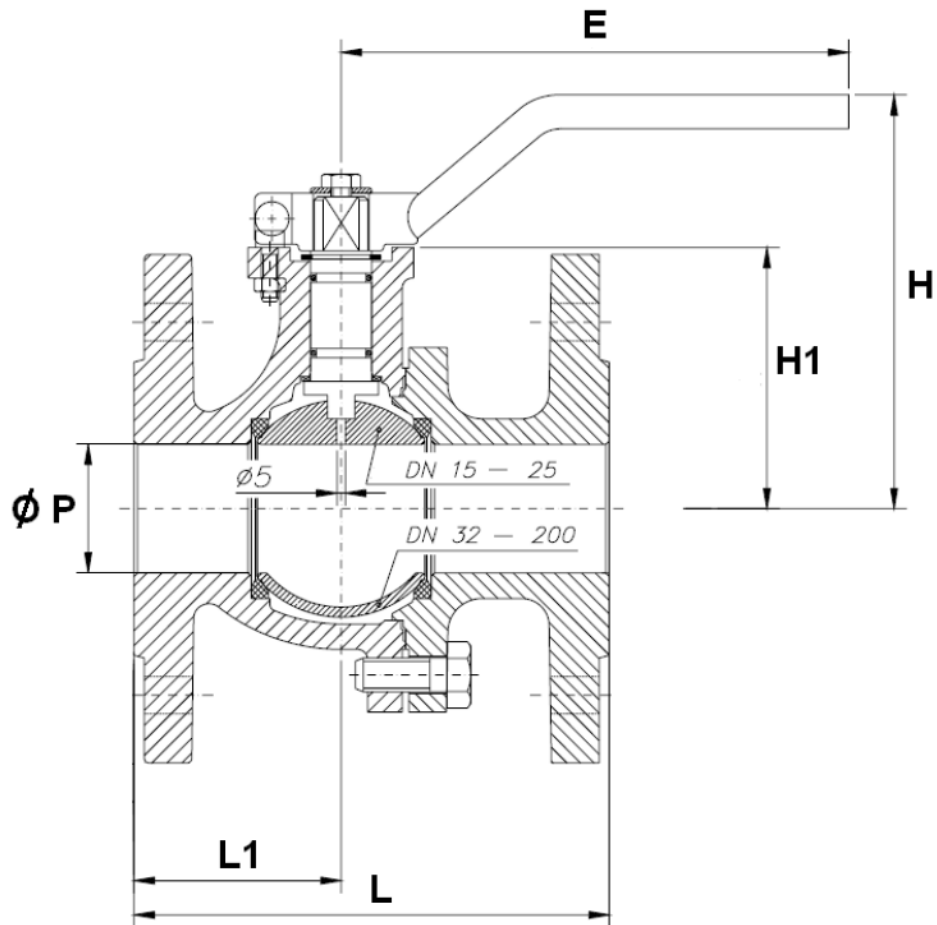


Item	Designation	Materials
1	Body	Cast iron EN GJL-250
2	Ends	Cast iron EN GJL-250
3	Solid Ball DN 15 - 25	SS 303
3	Hollow Ball DN 32 – 200	SS 304
4	Stem	SS 304
5	Seat	PTFE
6	Handle	Steel
12	Washer	PTFE
13	Body gasket	PTFE
15	Body screw	Steel DIN 933 5.6
16	Handle screw	Steel DIN 933 5.6
17	Handle washer	Steel
72	O ring	FKM
471	Circlip	Steel DIN 471
912	Stop Screw	Steel DIN 912 8.8

K85

K85 111 616.507 DN15-DN200 Ball valve flange

VALVE SIZE (in mm) :

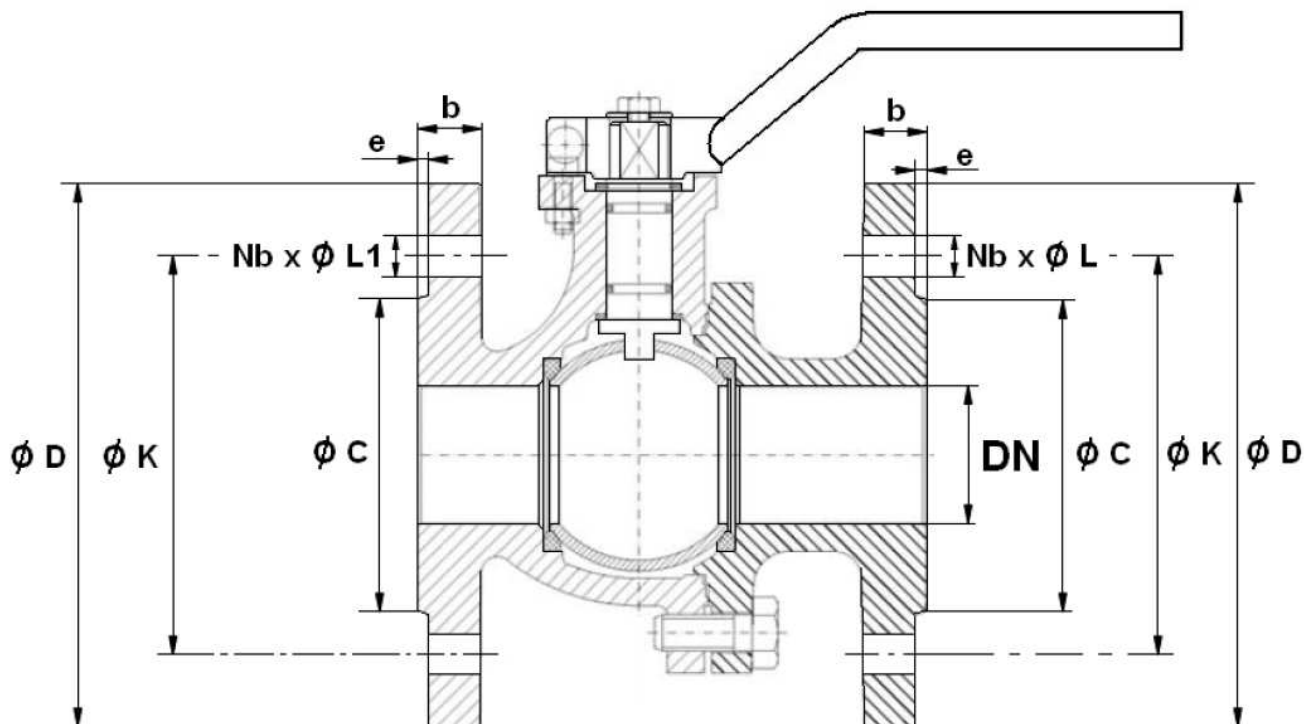


Ref.	DN	15	20	25	32	40	50	65	80	100	125	150	200
507	Ø P	13	17	24	31	38	50	65	80	100	125	150	200
	L	115	120	125	130	140	150	170	180	190	200	210	400
	L1	49	55.5	51.5	53	61	62	81.5	79	94	93	100	190
	H	92	95.5	102.2	114.7	119	127	141	151.5	176.5	208	254.5	293.5
	H1	48.5	53	59.5	72	77	85	98	108.5	134	165	190	229
	E	170	170	170	170	302.5	302.5	335	335	350	350	500	500
	Weight (Kg)		2.12	2.72	3.62	5.32	6.9	9	11.68	14.68	20.23	33.73	49.77

K85

K85 111 616.507 DN15-DN200 Ball valve flange

FLANGES SIZE (in mm) :

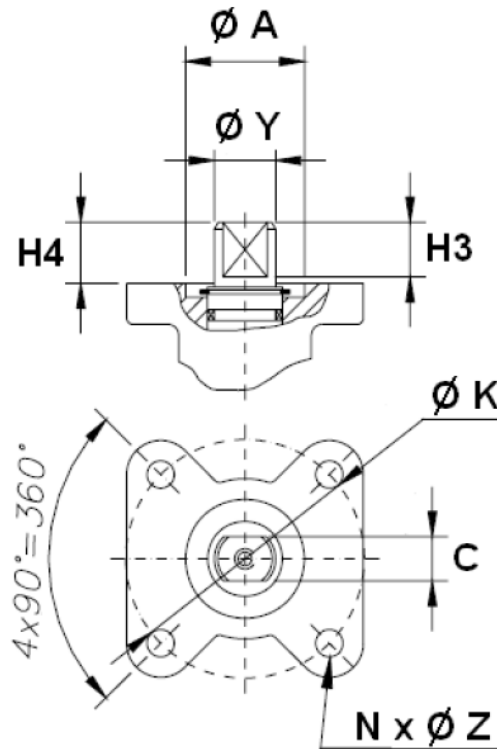


Ref.	DN	15	20	25	32	40	50	65	80	100	125	150	200
507	ϕC	45	58	68	78	88	102	122	138	158	188	212	268
	ϕD	95	105	115	140	150	165	185	200	220	250	285	340
	ϕK	65	75	85	100	110	125	145	160	180	210	240	295
	$Nb \times \phi L$	4 x 14	4 x 14	4 x 14	4 x 18	4 x 18	4 x 18	4 x 18	8 x 18	8 x 18	8 x M16	8 x M20	12 x 22
	$Nb \times \phi L1$	4 x 14	4 x 14	4 x 14	4 x 18	4 x 18	4 x 18	4 x 18	8 x 18	8 x 18	8 x M16	8 x M20	12 x 22
	b	14	16	16	16	16	18	18	20	20	22	22	24
	e	2	2	2	2	3	3	3	3	3	3	3	3

K85

K85 111 616.507 DN15-DN200 Ball valve flange

STEM AND ISO MOUNTING PAD SIZE (in mm) :



Ref.	DN	15	20	25	32	40	50	65	80	100	125	150	200
507	$\varnothing K$	42	42	42	42	42	42	70	70	70	70	102	102
	ISO	F04	F04	F04	F04	F04	F04	F07	F07	F07	F07	F10	F10
	$N \times \varnothing Z$	4 x 5	4 x 5	4 x 5	4 x 5	4 x 5	4 x 5	4 x 8	4 x 8	4 x 8	4 x 8	4 x 10	4 x 10
	C	7	7	7	7	12	12	13	13	16	16	20	20
	$\varnothing Y$	10	10	10	10	16	16	18	18	22	22	28	28
	H3	5.5	5	5	5.5	16	16	19	19	20	20	27	27
	H4	7.5	6	6.2	6.7	15	15	18	18	19	19.5	24.5	24.5
	$\varnothing A$	19	19	21	21	30	30	35	35	38	38	50	50

K85

K85 111 616.507 DN15-DN200 Ball valve flange

TORQUE VALUES (in Nm without safety coefficient) :

DN	15	20	25	32	40	50	65	80	100	125	150	200
Torque (Nm)	6	6	11	12	26	41	41	71	119	190	220	450

STANDARDS :

- Fabrication according to ISO 9001 :2008
- DIRECTIVE 97/23/CE : Risk Category I module A from DN65 to DN200
- Valve design according to DIN 3357
- Body design according to DIN 3840
- ISO 5211 mounting pad
- Length according to EN 558 series 27 (DIN 3202 F18) from DN 15 to 100 and for DN200
- Length according to EN 558 series 14 from DN 15 to 150
- Flanges R.F according to EN 1092-2 PN10/16
- Marking according to EN 19
- Pressure tests according to EN 12266-1
- On request, ATEX Group II Category 2 G/2Dc Zone 1 & 21 Zone 2 & 22 (optional marking)