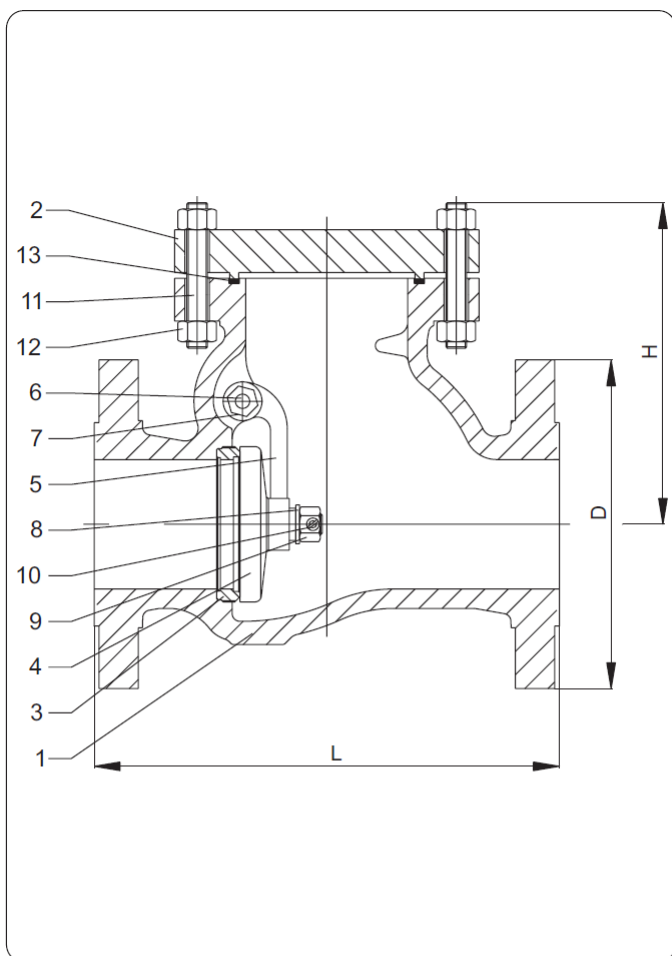


L10

L10 117 516.260 F6 DN50-DN1000 Check valve swing flange DIN

standard features



- **Description** FULL OPENING
BOLTED COVER
LAPPED DISC AND SEAT
RENEWABLE SEAT
- **Design** DIN 3840
- **Face to face** DIN 3202
- **Flanges** DIN 2501
DIN 2547
DIN 2526 FORM E
BW TO DIN 3239
- **Testing** DIN 3352 Part 1
DIN 3230 Part 3
- **Rating** DIN 2401
- **Marking** EN 19
CE - PED

PART NAME	MATERIAL			
1 Body	1.0619	1.7363	1.4552	1.4581
2 Cover	1.0619	1.7363	1.4552	1.4581
3 Seat ring surface	X20Cr13 (1)	X20Cr13 (1)	X6CrNiTi18-10 (1)	X5CrNiMo17-12-2 (1)
4 Disc seat surface	X20Cr13 (2)	X20Cr13 (2)	X6CrNiTi18-10 (2)	X5CrNiMo17-12-2 (2)
5 Hinge	1.0619 (3)	X5CrNiMo17-12-2 (3)	X6CrNiTi18-10 (3)	GX5CrNiMoNb19-11-2 (3)
6 Inge pin	X20Cr13	X20Cr13	X6CrNiTi18-10	X5CrNiMo17-12-2
7 Plug	1.0460	X5CrNiMo17-12-2	X5CrNiMo17-12-2	X5CrNiMo17-12-2
8 Plate	1.0460	X5CrNiMo17-12-2	X5CrNiMo17-12-2	X5CrNiMo17-12-2
9 Nut	C35	24CrMo5	A2-70	A2-70
10 Pin	X5CrNiMo17-12-2	X5CrNiMo17-12-2	X5CrNiMo17-12-2	X5CrNiMo17-12-2
11 Bolts	CK35	21CrMoV57	A2-70	A2-70
12 Nut	C35	24CrMo5	A2-70	A2-70
13 Gasket	← S.S. spiral wound reinforced graphite (4) →			

L10 117 516.260 SWING CHECK VALVES DIN PN16 Face to Face F6

SIZE DN	50	65	80	100	125	150	200	250	300	350	400	500	600	700	800	900	1000
L RF/BW	200	240	260	300	350	400	500	600	700	800	900	1100	1300	1500	1700	1900	2100
D	165	185	200	220	250	285	340	405	460	520	580	715	840	910	1025	1125	1255
H	150	180	200	225	270	300	355	390	445	495	530	620	730	-	--	--	--