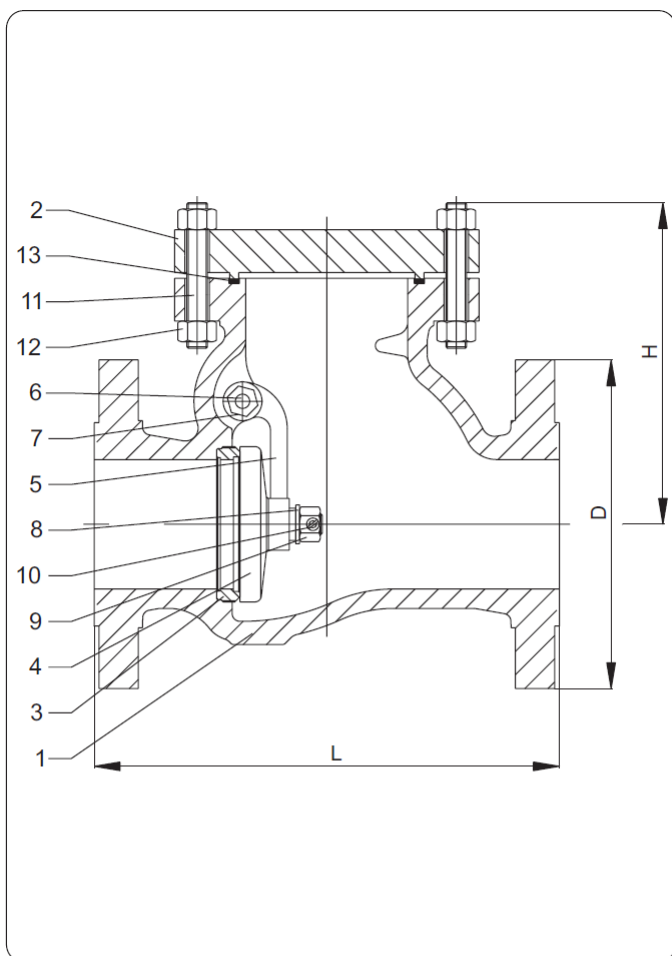


L10

L10 117 5160.266 F8 DN50-DN500 Check valve swing flange DIN

standard features



- **Description** FULL OPENING
BOLTED COVER
LAPPED DISC AND SEAT
RENEWABLE SEAT
- **Design** DIN 3840
- **Face to face** DIN 3202
- **Flanges** DIN 2501
DIN 2547
DIN 2526 FORM E
BW TO DIN 3239
- **Testing** DIN 3352 Part 1
DIN 3230 Part 3
- **Rating** DIN 2401
- **Marking** EN 19
CE - PED

PART NAME		MATERIAL			
1	Body	1.0619	1.7363	1.4552	1.4581
2	Cover	1.0619	1.7363	1.4552	1.4581
3	Seat ring surface	X20Cr13 (1)	X20Cr13 (1)	X6CrNiTi18-10 (1)	X5CrNiMo17-12-2 (1)
4	Disc seat surface	X20Cr13 (2)	X20Cr13 (2)	X6CrNiTi18-10 (2)	X5CrNiMo17-12-2 (2)
5	Hinge	1.0619 (3)	X5CrNiMo17-12-2 (3)	X6CrNiTi18-10 (3)	GX5CrNiMoNb19-11-2 (3)
6	Inge pin	X20Cr13	X20Cr13	X6CrNiTi18-10	X5CrNiMo17-12-2
7	Plug	1.0460	X5CrNiMo17-12-2	X5CrNiMo17-12-2	X5CrNiMo17-12-2
8	Plate	1.0460	X5CrNiMo17-12-2	X5CrNiMo17-12-2	X5CrNiMo17-12-2
9	Nut	C35	24CrMo5	A2-70	A2-70
10	Pin	X5CrNiMo17-12-2	X5CrNiMo17-12-2	X5CrNiMo17-12-2	X5CrNiMo17-12-2
11	Bolts	CK35	21CrMoV57	A2-70	A2-70
12	Nut	C35	24CrMo5	A2-70	A2-70
13	Gasket	← S.S. spiral wound reinforced graphite (4) →			

L10 117 5160.266 SWING CHECK VALVES DIN PN160 Face to Face F8

SIZE DN	50	65	80	100	125	150	200	250	300	350	400	500	600	700	800	900	1000
L RF/BW	300	360	390	450	525	600	750	900	1050	1200	1350	1650	--	--	--	--	--
D	195	220	230	265	315	355	430	515	585	--	--	--	--	--	--	--	--
H	195	210	230	290	305	370	410	--	--	--	--	--	--	--	--	--	--