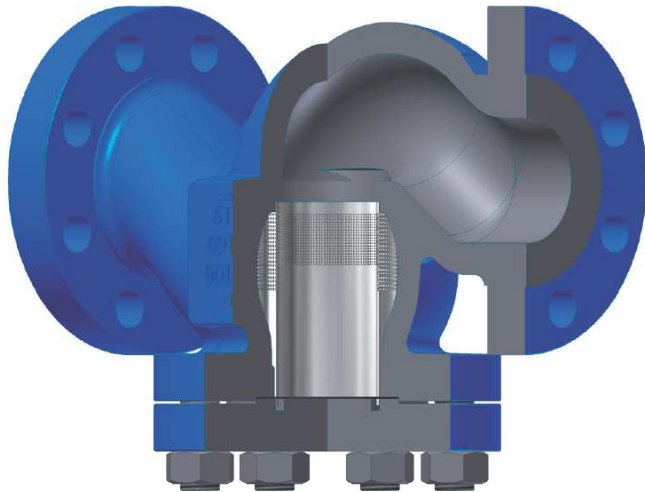


D71 118 3100 – STRAINERS FLANGED

Strainers [SEN]



Standard: EN

DN 15 ÷ DN 300

PN 25 ÷ PN 160

Design

- Forged or casted body and cover
- Bolted cover (BC)
- Net is safely build in between body and cover

Applications

- Power plant, Chemical, Petrochemical, Refining, water supply and other

Media

- Depending on the valve materials: water, steam, gas, oil and oil derivatives and other non aggressive media

Pressure and temperature (table C.1.7)

- Pressure up to 160 bar
- Temperature up to 600 °C

Materials (table C.1.1)

- Carbon, heat resistant alloy and stainless steels

Advantages

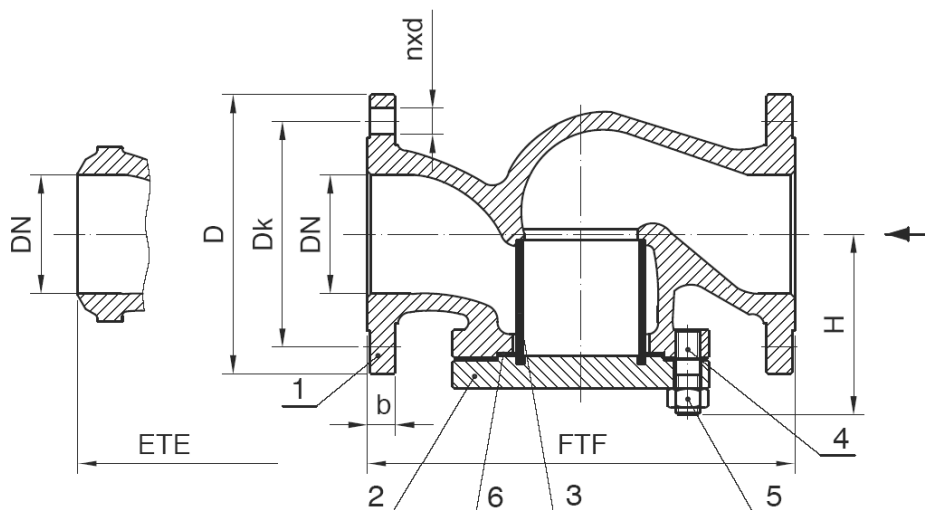
- Possibility of installation in any position
- Long service life
- Respect to emission standards
- Easy handling and maintenance

Options

- Threaded plug or valve installed on cover for quick draining
- Flanges and welding ends according to : GOST, DIN, ANSI.
- Other paint finishes are available upon customer's request
- Valve complete with counter flanges, bolting and gaskets

Testing

- Every produced strainer was tested according to EN 12266, Part 1



Drawing C.1.1 Parts and dimensions

List of materials

Table C.1.1

Item	Part		Material Group acc. to EN 12516-1					
			3E0	4E0	5E0	6E0	11E0	14E0
			Application					
			up to 400°C	up to 500°C	up to 550°C	up to 575°C	-196°C÷500°C	-196°C÷600°C
			Material Code					
		10 or 11	20 or 21	22 or 23	24 or 25	40 or 41	42 or 43	
1	Body	up to DN 25	1.0460	1.5415	1.7335	1.7383	1.4301	1.4401
		over DN 25	1.0619	1.5419	1.7357	1.7379	1.4308	1.4408
2	Cover	up to DN 25	1.0460	1.5415	1.7335	1.7383	1.4301	1.4401
		over DN 25	1.0619	1.5419	1.7357	1.7379	1.4308	1.4408
3	Net		1.4301					
4	Stud Bolts		1.7225	1.7709			1.4301	1.4401
5	Nuts		1.1191	1.7709			1.4301	1.4401
6	Covert Gasket		reinforced pure graphite					

Standards

Table C.1.2

Strainers according to EN	PN 25 / PN 40	PN 63 / PN 100 / PN 160
Face-to-face dimensions according to	EN 558-1, Serie 1	EN 558-1, Serie 2
Flanged ends according to	EN 1092-1, Type B1	
End-to-end dimensions according to	EN 12982, Serie 64	EN 12982, Serie 65
Welding ends according to	EN 12627	

[SEN] Dimensions PN 25 and PN 40

Table C.1.3

DN	FTF	ETE	D	↕(mm)					⚖(kg)	
				b	Dk	d	n	H	FTF	ETE
15	130	130	95	16	65	14	4	80	3,8	2
20	150	130	105	18	75	14	4	80	4,2	2,1
25	160	130	115	18	85	14	4	80	4,6	2,2
32	180	160	140	18	100	18	4	105	6,8	3,1
40	200	180	150	18	110	18	4	105	9	5
50	230	210	165	20	125	18	4	117	11	6
65	290	290	185	22	145	18	8	125	16	9
80	310	310	200	24	160	18	8	136	27	19
100	350	350	235	24	190	22	8	170	37	26
125	400	400	270	26	220	26	8	180	53	38
150	480	480	300	28	250	26	8	215	76	59
200	600	600	360	30	310	26	12	285	127	104
			375*	34*	320*	30*			137*	
250	730	730	425	32	370	30	12	360	192	148
			450*	38*	385*	33*			203*	
300	850	850	485	34	430	30	16	410	281	215
			515*	42*	450*	33*			300*	

* PN 40

[SEN] Dimensions PN 63

Table C.1.4

DN	FTF	ETE	D	↕(mm)					⚖(kg)	
				b	Dk	d	n	H	FTF	ETE
15	210	150	105	20	75	14	4	80	4,9	2,3
20	230	150	130	22	90	18	4	80	6,2	2,4
25	230	160	140	24	100	18	4	80	7,3	2,6
32	260	180	155	26	110	22	4	110	12,8	7,5
40	260	210	170	28	125	22	4	110	14	8
50	300	250	180	26	135	22	4	143	23	13,5
65	340	340	205	26	160	22	8	173	33	21
80	380	380	215	28	170	22	8	192	53	39
100	430	430	250	30	200	26	8	235	65	47
125	500	500	295	34	240	30	8	260	145	116
150	550	550	345	36	280	33	8	315	133	90
200	650	650	415	42	345	36	12	380	250	184

[SEN] Dimensions PN 100

Table C.1.5

DN	FTF	ETE	D	↕(mm)					⚖(kg)	
				b	Dk	d	n	H	FTF	ETE
15	210	150	105	20	75	14	4	80	4,9	2,3
20	230	150	130	22	90	18	4	80	6,2	2,4
25	230	160	140	24	100	18	4	80	7,3	2,6
32	260	180	155	26	110	22	4	110	12,8	7,5
40	260	210	170	28	125	22	4	110	14	8
50	300	250	195	30	145	26	4	143	24	14
65	340	340	220	34	170	26	8	173	34	21
80	380	380	230	36	180	26	8	192	54	39
100	430	430	265	40	210	30	8	235	89	68
125	500	500	315	40	250	33	8	260	149	116
150	550	550	355	44	290	33	12	315	236	192
200	650	650	430	52	360	36	12	380	403	334

[SEN] Dimensions PN 160

Table C.1.6

DN	FTF	ETE	D	↕(mm)					⚖(kg)	
				b	Dk	d	n	H	FTF	ETE
15	210	150	105	20	75	14	4	80	4,9	2,3
20	230	150	130	22	90	18	4	80	6,2	2,4
25	230	160	140	24	100	18	4	80	7,3	2,6
32	260	180	155	26	110	22	4	110	12,8	7,5
40	260	210	170	28	125	22	4	110	14,5	8
50	300	250	195	30	145	26	4	143	25	14
65	340	340	220	34	170	26	8	173	37	21
80	380	380	230	36	180	26	8	192	57	39
100	430	430	265	40	210	30	8	235	92	68
125	500	500	315	44	250	33	8	260	153	116
150	550	550	355	50	290	33	12	315	243	192
200	650	650	430	60	360	36	12	380	413	334

Range of application for valves with flanged ends

Table C.1.7

Material Group (Code)	Materials	PN	Pressure (bar) / temperature (°C) ratings according to EN 12516-1																				
			RT	50	100	150	200	250	300	350	375	400	425	450	475	500	510	520	530	550	575	600	
3E0 (10,11)	1.0460 1.0619	16	16	15	14	13	11	10	9	9	9	8											
		25	24	23	21	20	18	16	15	14	14	13											
		40	39	37	34	32	28	26	24	22	22	21											
		63	61	59	54	50	45	41	37	35	34	33											
		100	97	93	85	79	71	65	59	55	54	53											
		160	156	149	136	127	114	104	94	88	86	84											
4E0 (20,21)	1.5415 1.5419	16	16	16	15	14	13	11	10	10	10	10	9	9	7								
		25	26	26	25	24	22	20	17	16	16	15	15	15	11								
		40	41	41	40	38	35	32	28	26	25	24	24	24	23	18							
		63	64	64	63	60	55	51	43	41	40	38	38	37	37	29							
		100	102	102	100	95	87	81	69	65	63	61	60	59	58	46							
		160	163	163	160	151	140	130	110	104	101	97	96	94	93	73							
5E0 (22,23)	1.7335 1.7357	16	16	16	16	15	14	13	12	12	12	11	11	10	9	8	7	6	4				
		25	26	26	25	25	23	22	21	19	19	18	17	17	16	14	13	11	9	6			
		40	41	41	41	40	37	36	33	31	30	29	28	27	25	22	21	17	14	9			
		63	64	64	64	62	59	56	52	49	47	45	44	42	39	35	33	27	22	14			
		100	102	102	102	99	93	89	83	77	75	72	69	67	62	56	52	42	35	22			
		160	163	163	163	158	149	143	133	123	120	115	111	107	100	89	84	68	56	35			
6E0 (24,25)	1.7383 1.7379	16	16	16	16	15	15	14	13	12	12	11	11	10	9	8	7	6	5	3			
		25	26	26	25	25	24	23	21	20	19	18	17	17	16	14	13	12	10	8	5		
		40	41	41	41	40	39	37	34	32	31	29	28	27	25	22	21	19	16	12	9		
		63	64	64	64	62	61	58	53	50	48	45	44	42	39	35	33	29	26	19	14		
		100	102	102	102	99	96	91	85	79	77	72	69	67	62	56	53	46	41	31	21		
		160	163	163	163	158	154	146	135	127	123	115	111	107	100	89	84	74	65	49	34		
11E0 (40,41)	1.4301 1.4308	16	15	13	12	11	10	9	8	8	8	7	7	7	7								
		25	24	21	18	17	15	14	13	12	12	12	11	11	11	11							
		40	38	33	29	27	24	22	21	20	19	19	18	18	18	17							
		63	60	52	46	42	38	35	33	31	30	29	29	28	28	27							
		100	95	83	73	66	60	56	52	49	48	46	46	45	45	44							
		160	152	133	117	106	96	89	83	79	77	74	74	72	71	70							
14E0 (42,43)	1.4401 1.4408	16	16	15	13	12	11	10	10	9	9	9	9	8	8	8	7	7	7	7	6		
		25	24	23	21	19	17	16	15	14	14	14	14	13	13	13	12	11	11	11	10		
		40	39	37	33	30	27	26	24	23	22	22	22	21	21	21	20	18	17	17	16		
		63	61	58	52	47	43	40	38	36	35	34	34	34	33	33	31	29	27	27	26		
		100	97	92	83	75	69	64	60	57	56	54	54	54	53	52	49	45	44	43	42		
		160	155	148	133	120	110	102	96	91	89	87	86	86	85	83	78	73	70	68	67		