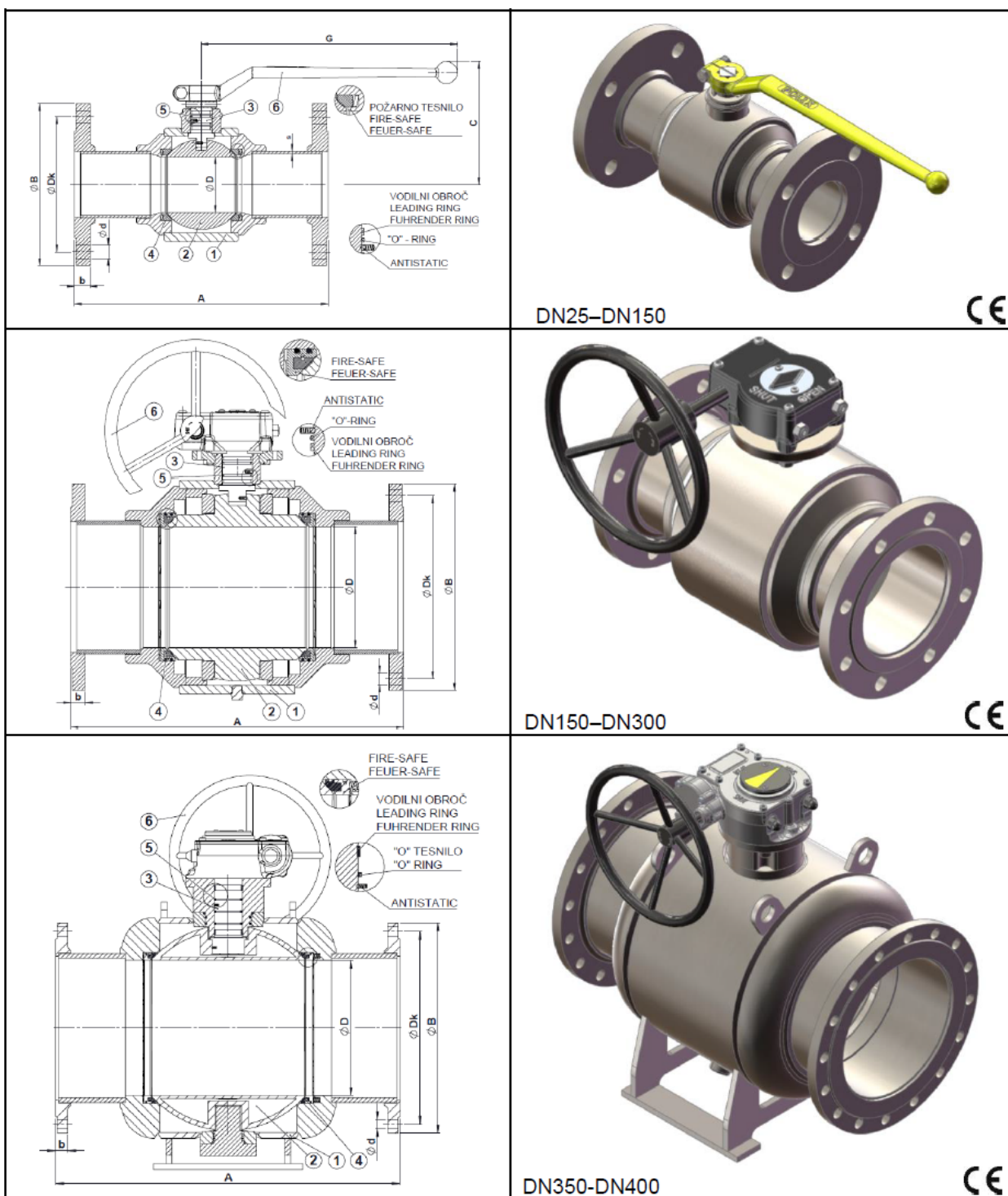


# GAS

## BALL VALVE KPV-G, FLANGED FULL BORE, DN25–DN400

# GAS



### Materials

1	Body	Carbon Steel – A105, P235TR2
2	Ball	Stainless Steel – X5CrNi18-10 (A304)
3	Stem	Stainless Steel – X30Cr13 (A420)
4	Seats	PTFE**
5	O-Ring	Viton
6	Handle	Forged Aluminium – Al6061, option S235JR (St 37-2)

# GAS

**Working temperature -20 °C / +60 °C** (Temperature below -20 °C contact manufacturer)

## KPV-G DN ... PN16 DP VX PX

**PN16**

Art. nr.	DN	A	B	C	ØD	G	b	ØDk	Ød	Nr.	Weight (kg)
A957303	25	160	115	76	25	158	16	85	14	4	3,70
A957304	32	180	140	108	32	180	16	100	18	4	5,80
A957305	40	200	150	114	40	180	16	110	18	4	7,00
A957306	50	230	165	128	50	222	18	125	18	4	10,00
A957307	65	290	185	160	63,5	293	18	145	18	4	16,00
A957308	80	310	200	170	78	293	20	160	18	8	20,00
A957309	100	350	220	185	99	415	20	180	18	8	30,00
A957310	125	400	250	260	124	1000	22	210	18	8	55,00
A957311	150	450	285	277	149	1000	22	240	22	8	80,00
A957312	200	550	340	-	200	-	24	295	22	12	145,00
A905471	250/200*	450	405	-	200	-	26	355	26	12	155,00
A957313	250	650	405	-	250	-	26	355	26	12	252,50
A957314	300	750	460	-	300	-	28	410	26	12	385,50
A957315	350	850	520	-	334	-	30	470	26	16	453,20
A957316	400	950	580	-	387	-	32	525	30	16	595,50

## KPV-G DN ... PN40 DP VX PX

**PN40**

Art. nr.	DN	A	B	C	ØD	G	b	ØDk	Ød	Nr.	Weight (kg)
A957403	25	160	115	76	25	158	18	85	14	4	3,70
A957404	32	180	140	108	32	180	18	100	18	4	5,80
A957405	40	200	150	114	40	180	18	110	18	4	7,00
A957406	50	230	165	128	50	222	20	125	18	4	10,00
A957407	65	290	185	160	63,5	293	22	145	18	8	16,50
A957408	80	310	200	170	78	293	24	160	18	8	20,50
A957409	100	350	235	185	99	415	24	190	22	8	32,00
A957410	125	400	270	260	124	1000	26	220	26	8	57,00
A957411	150	450	300	-	149	-	28	250	26	8	84,20
A957412	200	550	375	-	200	-	34	320	30	12	159,60
A905555	250/200*	450	450	-	200	-	38	385	33	12	180,50
A957413	250	650	450	-	250	-	38	385	33	12	279,00
A957414	300	750	515	-	300	-	42	450	33	16	414,70
A957435	350	850	580	-	334	-	46	510	36	16	637,60
A957436	400	950	660	-	387	-	50	585	39	16	900,50

TRUNION MOUNTED BALL

### Notes

Face to face dimensions conform to DIN3202 F17.

DN50 to DN400 with spring loaded washers.

DN200–DN400 and DN150 PN40 are with the manual gearbox.

Antistatic and fire safe design.

\*DN250 – reduced bore.

\*\*DN150 – DN400 have seals with 15% graphite

Ball valves DN350 and DN400 for pressure PN40 have Inox solid ball.

$O_2$  Ball valves for oxygen available upon request.

# GAS

## KPV-G DN ... AN150 DP VX PX

ANSI Class 150

Art. nr.	DN	A	ØB	C	ØD	G	b	ØDk	Ød	Nr.	Weight (kg)
A956103	25	127	108	87	25	170	14,5	79,5	16	4	3,4
A956104	32	140	117,3	92,5	35	170	14,5	88,9	16	4	4,6
A956105	40	165	127	97	40	170	17,5	98,5	16	4	5,7
A956106	50	178	152,4	107	50	210	19,5	120,5	20	4	8,4
A956107	65	191	177,8	128	63	280	20,6	139,7	20	4	15,6
A956108	80	203	190,5	138	78	280	24,0	152,5	20	4	19,0
A956109	100	229	228,6	155,5	99	415	24,0	190,5	20	8	30,3
A956111	150	394	279,4	250	149	1000	25,5	241,5	22	8	82,2
A956112	200	457	342,9	417,5	200	Ø305	30,0	298,4	22	8	152,0
A956113	250	533,4	406,4	491	250	Ø305	30,0	362	25,4	12	251,2
A956114	300	609,6	482,6	612	300	Ø457	32	431,8	25,4	12	389,1

## KPV-G DN ... AN300 DP VX PX

ANSI Class 300

Art. nr.	DN	A	ØB	C	ØD	G	b	ØDk	Ød	Nr.	Weight (kg)
A956083	25	165	124	87	25	170	17,5	89,0	19	4	4,7
A956084	32	178	133,4	92,5	35,1	170	17,5	98,6	19	4	6,2
A956085	40	191	155,4	97	40	170	20,5	114,3	22	4	8,2
A956086	50	215,9	165,1	107	50	210	22,0	127,0	19	8	10,1
A956087	65	241	190,5	128	63,5	280	23,9	149,4	22	8	18,6
A956088	80	282,6	209,6	138	78	280	29,0	168,5	22	8	23,6
A956089	100	304,8	254	155,5	99	415	32,0	200,2	22	8	40,8
A956091	150	403	317,5	250	149	1000	37,0	269,7	22	12	97,5
A956092	200	501,7	381	417,5	200	Ø305	41	330,0	25,5	12	178,0
A956093	250	568,3	444,5	491	250	Ø305	47,6	387,4	28,5	16	289,9
A956094	300	647,7	520,7	612	300	Ø457	50,8	450,9	31,8	16	443,5

TRUNION MOUNTED BALL

### Notes

DN50 to DN300 with spring loaded washers.

Antistatic and fire safe design.

DN200 - DN300 and DN150 ANSI 300 are with the manual gearbox.

\*\*DN150 – DN400 have seals with 15% graphite.



Ball valves for oxygen available upon request.