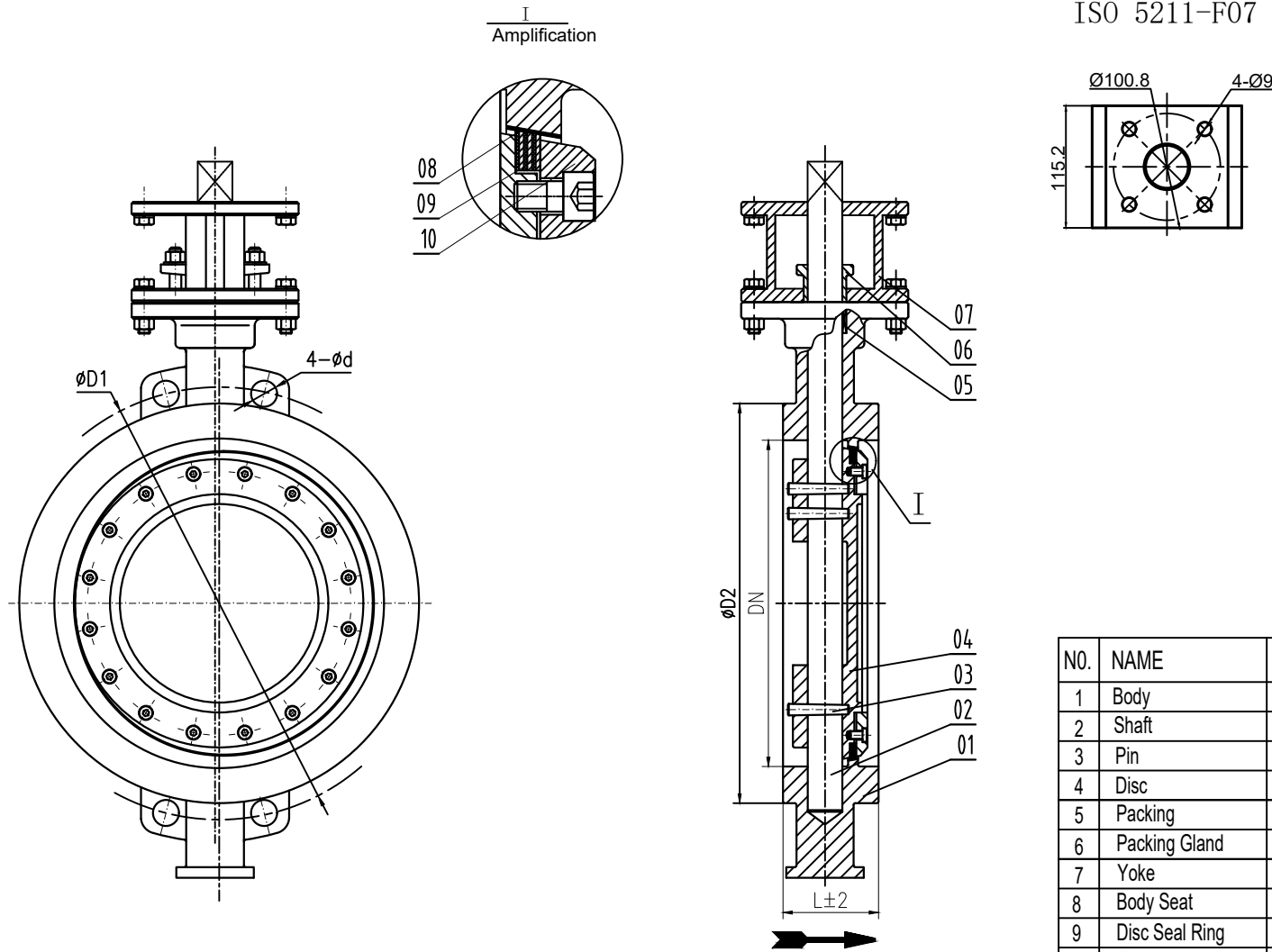


ISO 5211-F07



NO.	NAME	MATERIAL
1	Body	ASTM A216 WCB
2	Shaft	A276 420
3	Pin	ASTM A182 F6a
4	Disc	ASTM A216 WCB
5	Packing	Graphite
6	Packing Gland	ASTM A216 WCB
7	Yoke	ASTM A216 WCB
8	Body Seat	Overlaid +STL
9	Disc Seal Ring	ASTM A182 F6a+Graphite
10	Clamp Ring	ASTM A105

Triple offset butterfly valve

DN	L	$\phi D1$	$\phi D2$	4- $\phi d$	$\alpha^\circ$	ISO 5211
50	43	$\phi 125$	$\phi 99$	4- $\phi 18$	45°	F07
65	46	$\phi 145$	$\phi 118$	4- $\phi 18$	45°	F07
80	49	$\phi 160$	$\phi 136$	4- $\phi 18$	22.5°	F07

Pressure Test (CLASS/PN)	PN16	Design & Manufacturing:API 609 Face to Face:API 609 Flange Dimensions:ASME B16.5 Test:API 598
Shell test	2.4	
Positive Seal Test	1.8	
Reverse Seal Test	--	
Air test	0.6	Mpa
Appropriate Temperature:		
Appropriate Medium:		

**APD**® L32.8/ PN16 DN50-DN80

Drawing Auditing DN50~DN80 PN16

Approve Date 2020.12.28 Assemble Drawing