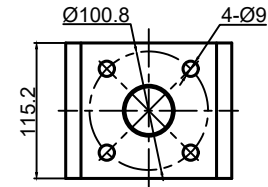
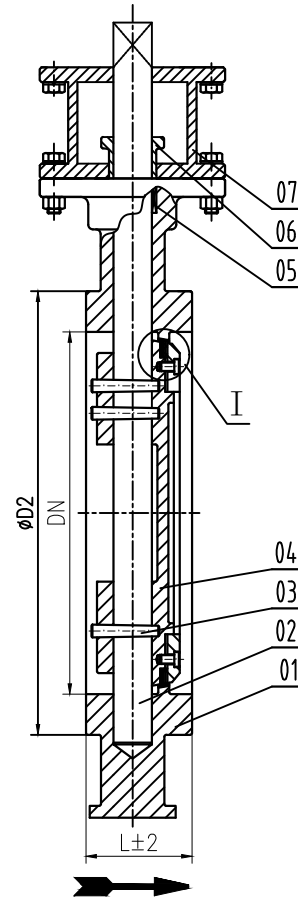
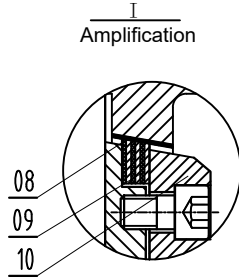
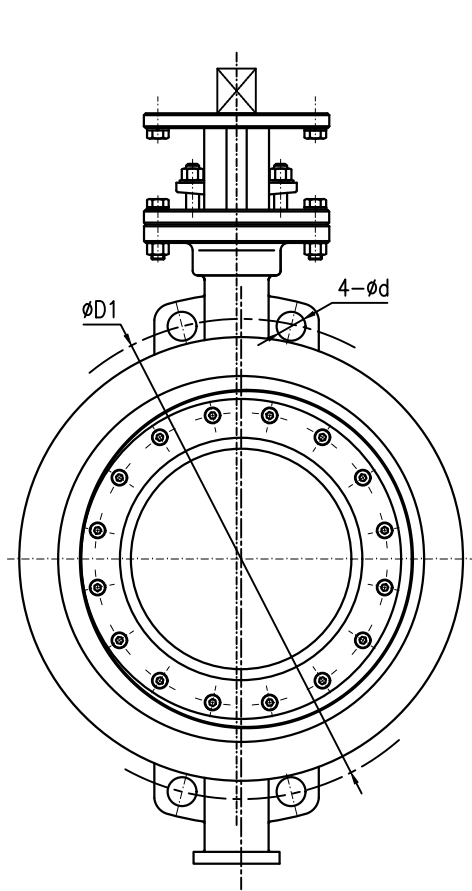


ISO 5211-F07



NO.	NAME	MATERIAL
1	Body	ASTM A216 WCB
2	Shaft	A276 420
3	Pin	ASTM A182 F6a
4	Disc	ASTM A216 WCB
5	Packing	Graphite
6	Packing Gland	ASTM A216 WCB
7	Yoke	ASTM A216 WCB
8	Body Seat	Overlaid +STL
9	Disc Seal Ring	ASTM A182 F6a+Graphite
10	Clamp Ring	ASTM A105

DN	L	φD1	φD2	4-φd	α°	ISO 5211
50	43	φ125	φ99	4-φ18	45°	F07
65	46	φ145	φ118	4-φ18	45°	F07
80	49	φ160	φ136	4-φ18	22.5°	F07

Triple offset butterfly valve		
Pressure Test (CLASS/PN)	PN25	Design & Manufacturing:API 609 Face to Face:API 609 Flange Dimensions:ASME B16.5 Test:API 598
Shell test	3.8	
Positive Seal Test	2.8	
Reverse Seal Test	--	
Air test	0.6	
Appropriate Temperature:		
Appropriate Medium:		

**APD**

L32.8/ PN25 DN50-DN80

Drawing	Auditing	DN50~DN80 PN25	
Approve	Date	2020.12.28	Assemble Drawing