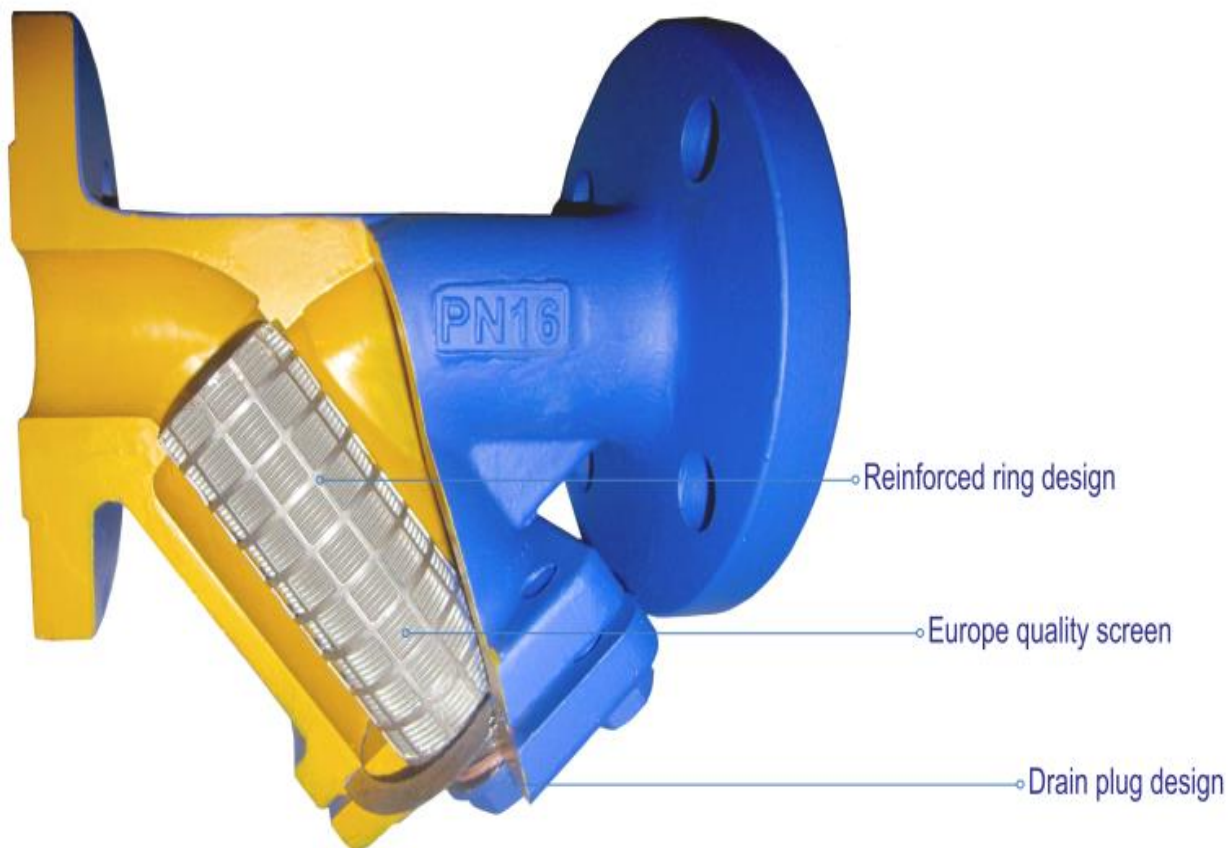


D71

Y strainer flange

D71 118 516.11–525.11–540.11–563.11–5100.11



CE PED 97/23/EC

IS 9001-2008
CERTIFIED



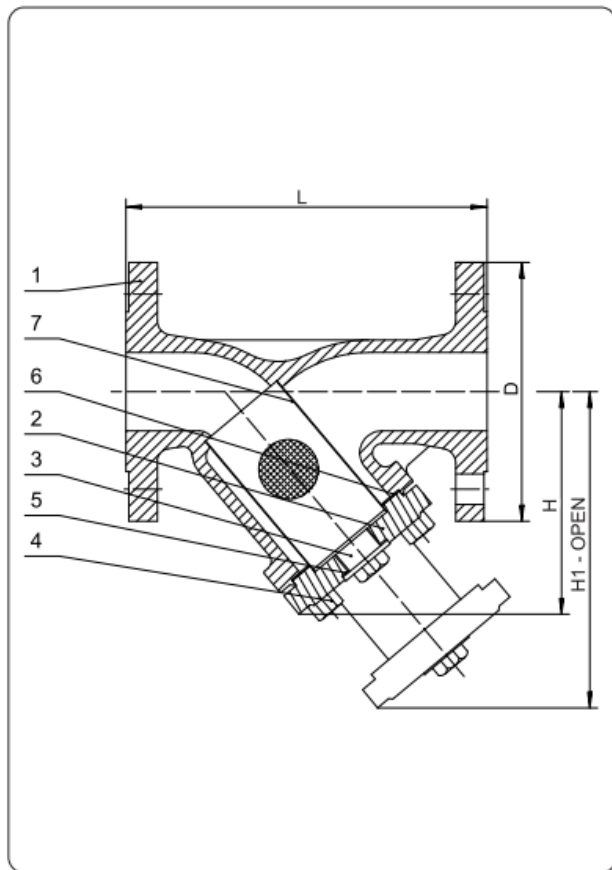
TÜVRheinland
AD 2000 Merkblatt W0
APPROVED

D71

Y strainer flange

D71 118 516.11–525.11–540.11–563.11–5100.11

DIN Y-STRAINERS DIN PN16-PN25-PN40-PN63-PN100-PN160 F1/F2



standard features

- **Description** BOLTED COVER
REPLACEABLE SCREEN
- **Design** DIN 3356
DIN 3840
- **Face to face** DIN 3202
- **Flanges** DIN 2501
DIN 2547
DIN 2526 FORM E
BW TO DIN 3239
- **Testing** DIN 3352 Part 1
DIN 3230 Part 3
- **Rating** DIN 2401
- **Marking** EN 19
CE - PED
- **Certificates** EN 10204 – 3.1 B

PART NAME	MATERIAL	
1 Body	1.0619	1.4581
2 Cover	1.0619	1.4581
3 Scre	1.0460	X5CrNiMo17-12-2
4 Blots	CK35	A2-70
5 Sealing piece	Cu-Alloy	Cu-Alloy
6 Gasket	S.S.reinforced graphite	S.S.reinforced graphite
7 Screen	SS304/SS316/SS316L	SS316/SS316L



IS 9001-2008
CERTIFIED



All data, subject to technical changes, are only for information and not for official use.



DIN Y-STRAINERS DIN PN16-PN25-PN40-PN63-PN100-PN160 F1/F2

FIG.T.830 Y-STRAINERS DIN PN16 Face to Face F1

SIZE DN	15	20	25	32	40	50	65	80	100	125	150	175	200	250	300	350	400	450	500	600
L RF	130	150	160	180	200	230	290	310	350	400	480	550	600	730	850	980	1100	1200	1250	1450
D	95	105	115	140	150	165	185	200	220	250	285	315	340	405	460	520	580	640	715	840
H	70	80	85	100	110	115	130	145	165	185	205	235	250	300	360	410	460	520	570	--
H1	130	144	155	172	200	220	265	290	340	390	440	505	520	680	845	870	1000	--	--	--

FIG.T.831 Y-STRAINERS DIN PN25/PN40 Face to Face F1

SIZE DN	15	20	25	32	40	50	65	80	100	125	150	175	200	250	300	350	400	450	500	600
L RF/BW	130	150	160	180	200	230	290	310	350	400	480	550	600	730	850	980	1100	1200	1250	1450
D - PN25	95	105	115	140	150	165	185	200	235	270	300	330	360	425	485	555	620	670	730	845
D - PN40	95	105	115	140	150	165	185	200	235	270	300	350	375	450	515	580	660	685	755	890
H	70	80	85	100	110	125	145	160	190	220	250	295	320	385	450	510	585	610	670	--
H1	130	144	155	172	200	230	280	305	365	425	485	565	590	765	935	970	1125	--	--	--

FIG.T.832 Y-STRAINERS DIN PN63 Face to Face F2

SIZE DN	15	20	25	32	40	50	65	80	100	125	150	175	200	250	300	350	400	450	500	600
L RF/BW	210	230	230	260	260	300	340	380	430	500	550	600	650	775	900	1025	1150	--	1400	1600
D	105	130	140	155	170	180	205	215	250	295	345	375	415	470	530	600	670	--	800	930
H	105	120	120	135	150	160	180	200	230	280	310	340	390	430	500	--	--	--	--	--
H1	165	184	190	207	240	265	315	345	405	485	545	610	660	810	985	--	--	--	--	--

FIG.T.833 Y-STRAINERS DIN PN100 Face to Face F2

SIZE DN	15	20	25	32	40	50	65	80	100	125	150	175	200	250	300	350	400	450	500	600
L RF/BW	210	230	230	260	260	300	340	380	430	500	550	600	650	775	900	--	--	--	--	--
D	105	130	140	155	170	195	220	230	265	315	355	385	430	505	585	--	--	--	--	--
H	105	120	120	135	150	170	200	220	250	300	350	380	410	480	570	--	--	--	--	--
H1	165	184	190	207	240	275	335	365	425	505	585	650	680	860	1055	--	--	--	--	--

FIG.T.834 Y-STRAINERS DIN PN160 Face to Face F2

SIZE DN	15	20	25	32	40	50	65	80	100	125	150	175	200	250	300	350	400	450	500	600
L RF/BW	210	230	230	260	260	300	340	380	430	500	550	600	650	775	900	--	--	--	--	--
D	105	130	140	155	170	195	220	230	265	315	355	390	430	515	585	--	--	--	--	--
H	110	125	125	140	155	180	220	240	270	320	370	400	430	500	600	--	--	--	--	--
H1	170	189	195	212	245	285	355	385	445	525	605	670	700	880	1085	--	--	--	--	--

features on request

- SCREEN IN SPECIAL MATERIALS
- DISCHARGE VALVE
- DRAIN PLUG
- BW ENDS
- ANSI CONNECTIONS

All dimensions in mm (except where differently indicated)

IS 9001-2008
CERTIFIED



All data, subject to technical changes, are only for information and not for official use.

