

S38

Gate valve flange, F4, stainless steel
S38 111 016.11



CE 0036

IS 9001-2008
CERTIFIED

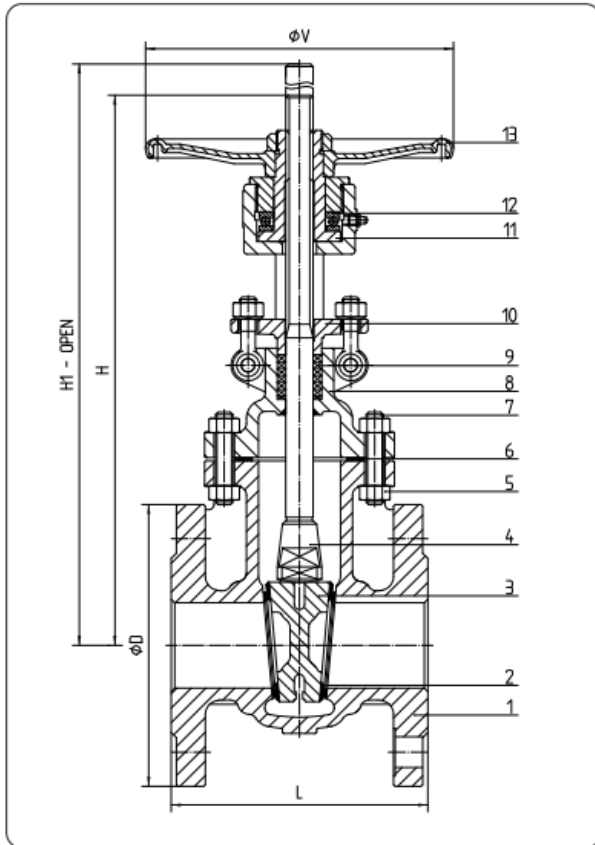


TÜV Rheinland
AD 2000 Merkblatt W0
APPROVED

S38

Gate valve flange, F4, stainless steel S38 111 016.11

DIN GATE VALVES DIN PN16 F4



standard features

- **Description** OVAL BODY
BOLTED BONNET
OUTSIDE SCREW AND YOKE
RISING STEM
NON RISING HANDWHEEL
FLEXIBLE WEDGE
- **Design** BS EN 1984
- **Face to face** BS EN 558-1 S14
- **Flanges** BS EN 1092
- **Testing** BS EN 12266 A
- **Rating** BS EN 12516
- **Marking** EN 19
CE - PED
- **Certificates** EN 10204 – 3.1 B

PART NAME	MATERIAL		
1. Body	1.0619	1.4308	1.4408
2. Seat Surface	Overlay X20Cr13 (1)	1.4308(1)	1.4408(1)
3. Wedge Seat Surface	X20Cr13 (2)	1.4308(2)	1.4408(2)
4. Stem	X20Cr13 (3)	1.4301(3)	1.4401(3)
5. Gasket	SS304+Graphite (6)	SS304+Graphite (6)	SS316+Graphite (6)
6. Hexagon Nut	AST A194 2H	AST A194 8	AST A194 8
7. Bolts	AST A193 B7	AST A193 B8	AST A193 B8
8. Bonnet	1.0619	1.4308	1.4408
9. Packing	Graphite (5)	Graphite (5)	Graphite (5)
10. Gland	1.0619	1.4308	1.4308
11. Ste Nut	Cu-Alloy (4)	Cu-Alloy	Cu-Alloy
12. Bearing	Alloy Steel	Alloy Steel	Alloy Steel
13. Handwheel	C.S	C.S	C.S

- (1) On request: faced with Stellite® - Monel® - Hastelloy® - other materials
 (2) On request: faced with Stellite® - Monel® - Hastelloy® - other materials
 (3) On request: 17 Cr - Monel® - Hastelloy® - other materials
 (*) Gear operator recommended from DN 500.

- (4) On request: GGG50 - Nitronic 60
 (5) On request: PTFE - other materials
 (6) On request: PTFE - other materials

All data, subject to technical changes, are only for information and not for official use.

CE0036

IS 9001-2008
CERTIFIED



TÜV Rheinland
AD 2000 Merkblatt W0
APPROVED

DIN GATE VALVES DIN PN16 F4

FIG.F.160 GATE VALVES OVAL BODY DIN PN16 - Face to Face F4

SIZE DN	50	65	80	100	125	150	200	250	300	350	400	500	600	700	800	900	--	--	--
L RF	150	170	180	190	200	210	230	250	270	290	310	350	390	430	470	510	--	--	--
D	165	185	200	220	250	285	340	405	460	520	580	715	840	910	1025	1125	--	--	--
V	200	200	250	250	300	300	350	400	400	450	500	500	450	450	530	530	--	--	--
H	350	420	500	520	610	700	900	1050	1200	1400	1580	1900	2300	2600	3200	4400	--	--	--
H1	415	495	580	620	720	840	1100	1300	1540	1750	1980	2450	3000	3500	4100	5500	--	--	--

features on request

- TOP FLANGE TO ISO 5210
- GEAR OPERATOR
- CHAIN WHEEL OPERATOR
- PNEUMATIC ACTUATOR
- HYDRAULIC ACTUATOR
- ELECTRIC ACTUATOR
- POSITION INDICATOR
- LIMIT SWITCHES
- LOCKING / INTERLOCK SYSTEM
- PTFE SOFT SEATS
- STEM PROTECTION
- STEM EXTENSION
- LANTERN RING
- EXTENDED STUFFING BOX
- LIVE LOADED PACKING
- DRAIN PLUG
- BY PASS
- BW ENDS
- ANSI CONNECTIONS

All dimensions in mm (except where differently indicated)

All data, subject to technical changes, are only for information and not for official use.

