

# V25

Globe valve bellows flange, F1, stainless steel  
V25 111 016.11 – 025.11 - 040.11



**CE** PED 97/23/EC

IS 9001-2008  
CERTIFIED

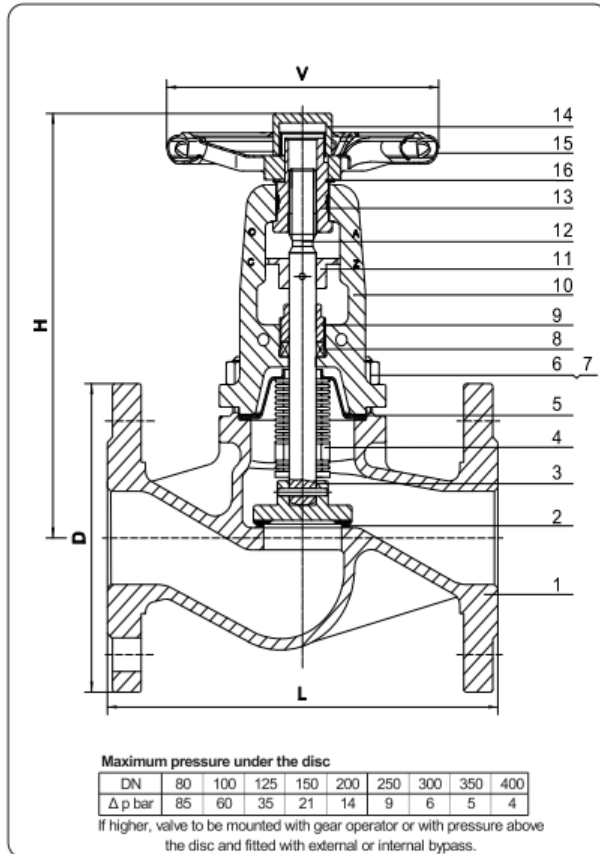


**TÜV Rheinland**  
AD 2000 Merkblatt W0  
APPROVED

# V25

## Globe valve bellows flange, F1, stainless steel V25 111 016.11 – 025.11 - 040.11

### DIN BELLOWS SEAL STOP VALVES DIN PN16-PN25-PN40 F1



#### standard features

- **Description** BOLTED BONNET  
OUTSIDE SCREW AND YOKE  
RISING STEM  
NON RISING HANDWHEEL  
LOOSE DISC
- **Design** DIN 3356
- **Face to face** DIN 3202
- **Flanges** DIN 2501  
DIN 2547  
DIN 2526 FORM E  
BW TO DIN 3239
- **Testing** DIN 3352 Part 1  
DIN 3230 Part 3
- **Rating** DIN 2401
- **Marking** EN 19  
CE - PED
- **Certificates** EN 10204 – 3.1 B

PART NAME	MATERIAL	
1 Body	1.0619	1.4581
2 Seat surface	X20Cr13(1) overlay	1.4581 (1) overlay
3 Disc seat surface	X20Cr13(2) overlay	1.4581 (2) overlay
4 Bellows	SS304/SS321/SS316L	SS321/SS316L
5 Gasket	S. S. reinforced graphite(4)	S. S. reinforced graphite(4)
6 Nuts	C35	A2-70
7 Bolts	CK35	A2-70
8 Packing	Graphite rings & wiper rings (4)	Graphite rings & wiper rings
9 Gland	1.0460	X5CrNiMo17-12-2 (2)
10 Bonnet	1.0619	1.4581
11 No rot.Device	X20Cr13	S.S
12 Stem	X20Cr13(2)	X5CrNiMo17-12-2 (2)
13 Yoke Nut	GGG40(3)	Cu-Alloy
14 Lock Nut	C.S	C.S
15 Handwheel	Steel	Steel
16 Circlip	65Mn	65Mn

- (1) On request: faced with Stellite<sup>®</sup> - Monel<sup>®</sup> - Hastelloy<sup>®</sup> - other materials  
 (2) On request: 17 Cr - Monel<sup>®</sup> - Hastelloy<sup>®</sup> - other materials  
 (3) On request: GGG50  
 (4) On request: PTFE - other materials

All data, subject to technical changes, are only for information and not for official use.



IS 9001-2008  
CERTIFIED



### DIN BELLOWS SEAL STOP VALVES DIN PN16-PN25-PN40 F1

**FIG.P.061 BELLOWS SEAL STOP VALVES DIN PN16 - Face to Face F1**

SIZE DN	15	20	25	32	40	50	65	80	100	125	150	200	250	300	350	400
L RF	130	150	160	180	200	230	290	310	350	400	480	600	730	850	980	1100
D	95	105	115	140	150	165	185	200	220	250	285	340	405	460	520	580
V	120	140	140	140	160	160	180	200	250	250	350	450	500	500	600	600
H	196	196	205	205	222	224	240	265	350	380	410	550	715	790	950	1030
STROKE	8	8	10	10	15	16	18	22	28	34	40	60	75	85	100	115

**FIG.P.062 BELLOWS SEAL STOP VALVES DIN PN25 - Face to Face F1**

SIZE DN	15	20	25	32	40	50	65	80	100	125	150	200	250	300	350	400
L RF/BW	130	150	160	180	200	230	290	310	350	400	480	600	730	850	980	1100
D	95	105	115	140	150	165	185	200	235	270	300	360	425	485	555	620
V	140	140	160	160	180	180	200	250	300	350	400	500	500	500	600	600
H	196	196	205	205	222	224	240	265	350	380	410	550	715	790	950	1030
STROKE	8	8	10	10	15	16	18	22	28	34	40	60	75	85	100	115

**FIG.P.063 BELLOWS SEAL STOP VALVES DIN PN40 - Face to Face F1**

SIZE DN	15	20	25	32	40	50	65	80	100	125	150	200	250	300	350	400
L RF/BW	130	150	160	180	200	230	290	310	350	400	480	600	730	850	980	1100
D	95	105	115	140	150	165	185	200	235	270	300	375	450	515	580	660
V	140	140	160	160	180	180	200	250	300	350	400	500	500	500	600	600
H	196	196	205	205	222	224	240	265	350	380	410	550	715	790	950	1030
STROKE	8	8	10	10	15	16	18	22	28	34	40	60	75	85	100	115

*features on request*

- |   |  |
|---|--|
| <input type="checkbox"/> TOP FLANGE TO ISO 5210     | <input type="checkbox"/> PTFE SOFT SEATS             |
| <input type="checkbox"/> GEAR OPERATOR              | <input type="checkbox"/> STEM PROTECTION / EXTENSION |
| <input type="checkbox"/> CHAIN WHEEL OPERATOR       | <input type="checkbox"/> REGULATING DISC             |
| <input type="checkbox"/> PNEUMATIC ACTUATOR         | <input type="checkbox"/> DOUBLE STAGE DISC           |
| <input type="checkbox"/> HYDRAULIC ACTUATOR         | <input type="checkbox"/> STOP CHECK DISC             |
| <input type="checkbox"/> ELECTRIC ACTUATOR          | <input type="checkbox"/> LIVE LOADED PACKING         |
| <input type="checkbox"/> POSITION INDICATOR         | <input type="checkbox"/> DRAIN PLUG                  |
| <input type="checkbox"/> LIMIT SWITCHES             | <input type="checkbox"/> BW ENDS                     |
| <input type="checkbox"/> LOCKING / INTERLOCK SYSTEM | <input type="checkbox"/> ANSI CONNECTIONS            |

All dimensions in mm (except where differently indicated)



IS 9001-2008  
CERTIFIED



All data, subject to technical changes, are only for information and not for official use.

